

ELDAN Twin Shaft Pre-Shredders

Up to 4500 kg/h



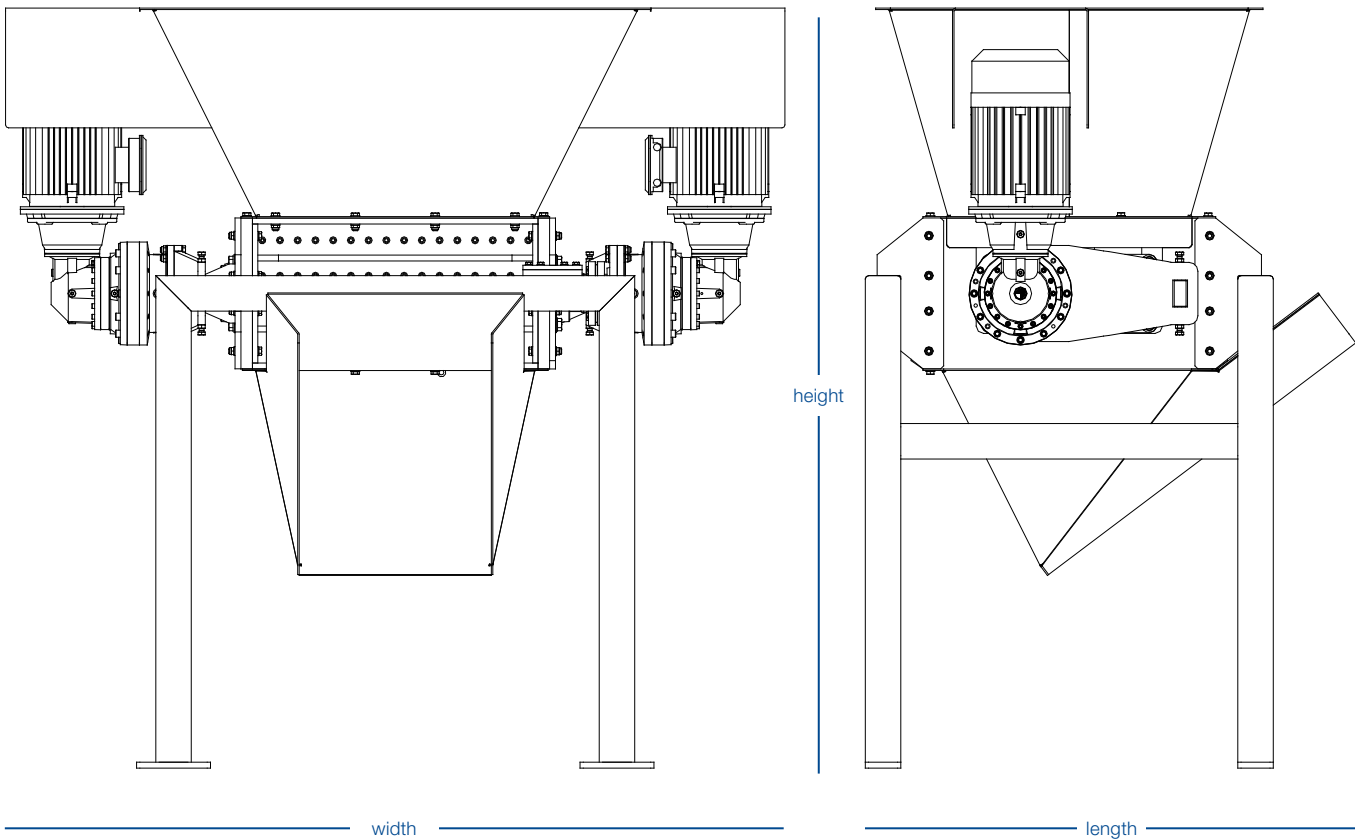
TWIN SHAFT PRE-SHREDDERS

The ELDAN Twin Shaft Pre-Shredders are a perfect complement to cable and recycling plants for primary shredding. They can be used for size reduction of materials like copper and aluminium cables and refrigerators.

- The construction enables easy change of the hooked knives simply by lifting up the entire rotor
- Two rotors are each equipped with electrical motors and high torque gearboxes
- Provided with 2 rotors and wear resistant hooked knives for efficient primary shredding
- The hooked knives are available in different thicknesses for controlling the size of the output
- Stand and inlet hopper is customized for the individual setup
- Two frequency converters ensures a very flexible operation with individual setting of rpm, overload protection, auto reverse at overload and high torque from zero rpm



Twin Shaft Pre-Shredders



Technical specifications	TS970-II	TS1460-II	Units (EN / US)
Motors	2 x 15 / 2 x 20	2 x 55 / 2 x 74	kW / hp
Rotor length	970 x 2 / 38 x 2	1460 x 2 / 58 x 2	mm / in
Rotor speed	nominel appr. 20	nominel appr. 20	rpm
Knives	15	15	pcs per rotor
Knife thickness	30 / 1.8	50 / 2	mm / in
Knife diameter (Ø)	400 / 16	450 / 18	mm / in
Capacity*	Up to 1000 / 2200	Up to 4500 / 10000	kg/lbs per production hour
Capacity of inlet hopper (approx.)	0.9 / 32	2 / 71	m ³ / cf
Weight (approx.)	4125 / 9100	9000 / 19850	kg / lbs
Length	1600 / 63	2000 / 79	mm / in
Width	2700 / 107	3800 / 150	mm / in
Height	2600 / 103	3100 / 123	mm / in

Standard voltage: 3 ph, 400 V, 50 Hz - for other voltages please contact our sales department
 * Depending on type of input material and method of feeding

