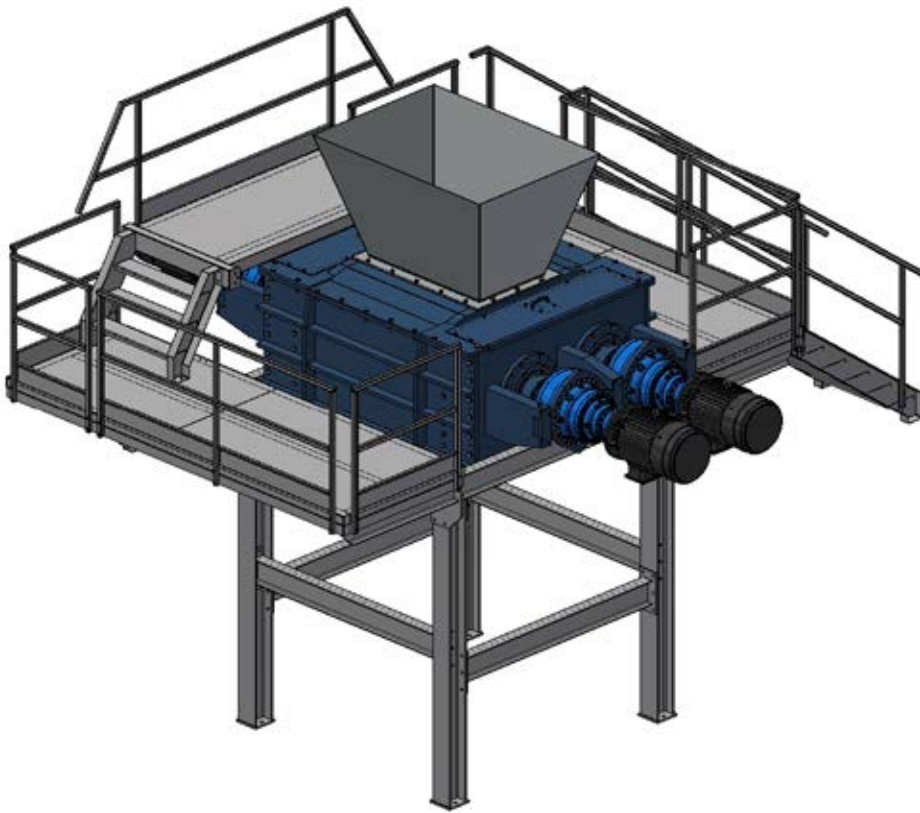


ELDAN Twin Shaft Clean-Cut Shredder

Up to 9000 kg/h



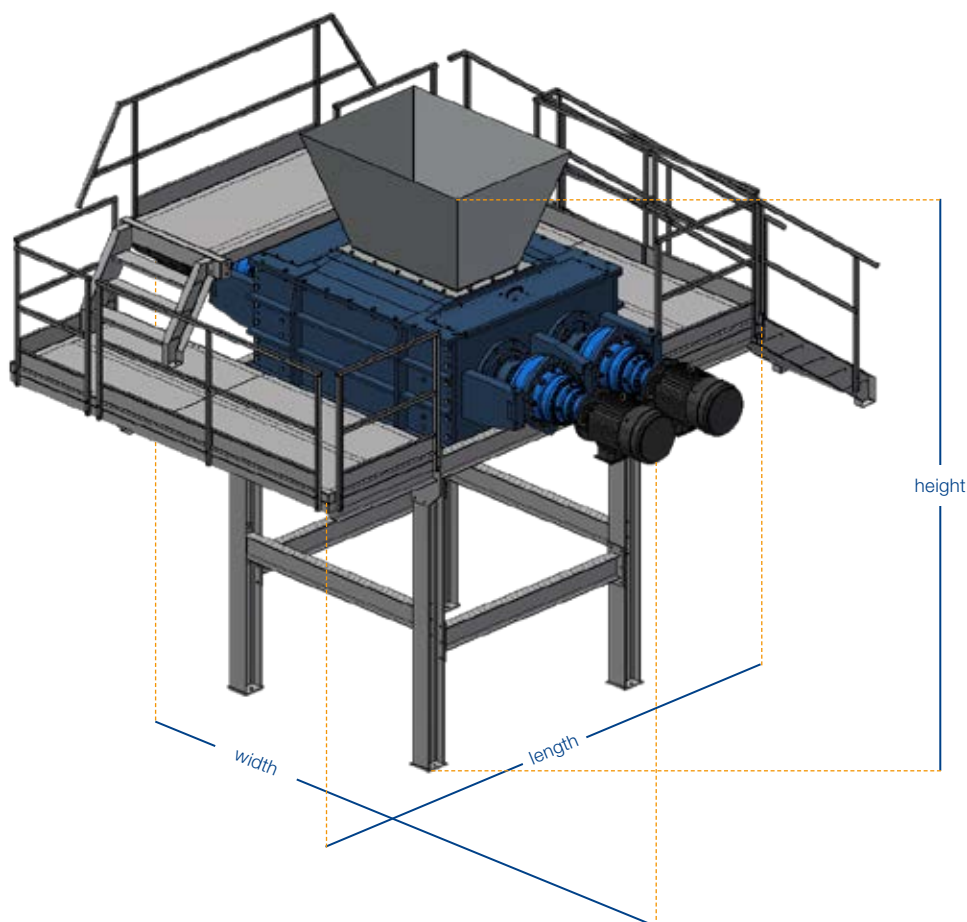
TWIN SHAFT CLEAN-CUT SHREDDER

The ELDAN Twin Shaft Clean-Cut Shredder is the perfect solution for one step production of clean-cut tyre chips from car and truck tyres.

- The simple construction enables easy knife change by lifting up the entire rotor
- Two rotors, each equipped with two electrical motors and high torque gearboxes
- Two frequency converters ensure a very flexible operation, i.e. individual setting of rpm, overload protection, auto reverse at overload, and high torque from zero rpm
- Frequency drive reduces power consumption by up to 50%
- Stand and inlet hopper customized for individual set up
- Wear resistant knives for efficient pre-shredding
- The knives can be reground ensuring low operation costs
- Patented solution



Twin Shaft Clean-Cut Shredder



Technical specifications	TSCC1200 FD180 50x50	TSCC1200 FD180 100x100	Units (EN / US)
Motors	4 x 45 / 4 x 60	4 x 45 / 4 x 60	kW / hp
Rotor length	1200 / 47	1200 / 47	mm / in
Rotor speed	nominel appr. 8	nominel appr. 8	rpm
Knives	288	288	pcs
Knife width	50 / 2.0	2x50 / 2 x 2.0	mm / in
Capacity - car tyres (with steel bead)	≤6000 / 13200*	≤9000 / 19800**	kg/lbs per production hour
Capacity - truck tyres (with steel bead)	≤4000 / 8800*	≤7000 / 15400**	kg/lbs per production hour
Weight (approx.)	21000 / 46500	21000 / 46500	kg / lbs
Length	4900 / 193	4900 / 193	mm / in
Width	5800 / 229	5800 / 229	mm / in
Height	4775 / 188	4775 / 188	mm / in

Standard voltage: 3 ph, 400 V, 50 Hz - for other voltages please contact our sales department

* Finished product <50 mm

** Finished product <100 mm

