

Up to 500 kg/h



Thunderhawk A (TH A)

The TH A is a compact turn-key cable recycling plant with a typically capacity of up to 300 kg/h for cable with a Cu content of 50-60% (depending on type of cable).

- Suitable for all types of steel-free, dry cable (for steel reinforced cable see TH B)
- Small cable coils and bundles can be processed by the Granulator
- Cable diameter max. 30 mm, length max. 250 mm
- All equipment mounted on a base plate ready to run
- Manual feeding to conveyor
- Granulator with wear plates of HARDOX
- Manual filter without Pre-cyclone
- Metal purity: minimum 99.5%

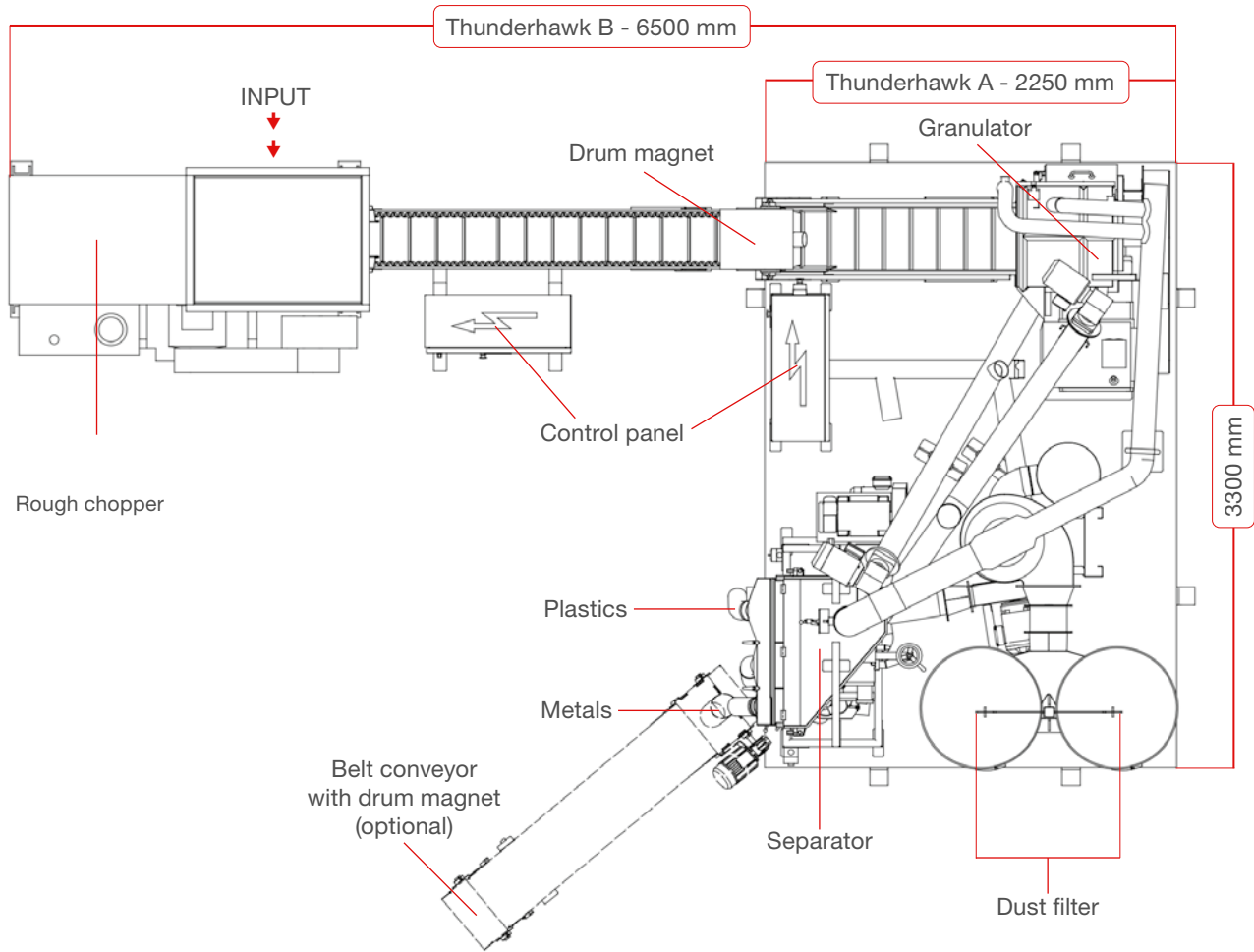
Thunderhawk B (TH B)

The TH A can be extended to a TH B by using a 18.5-kW Rough Chopper, increasing the capacity to 500 kg/h for cable with a Cu content of 50-60% (capacity depending on type of cable).

- Rough Chopper including hard metal knife system, hydraulic pusher, automatic buffer feeding
- Cable diameter max. 60 mm, length max. 400 mm
- Cable coils and bundles can be fed into the Rough Chopper
- Suitable for all types of dry cable (up to 1.5 mm steel reinforcement)
- Suitable for forklift or crane feeding



Thunderhawk A + B



Technical Specifications	Thunderhawk A	Thunderhawk B	Dimensions
Main machines			Units (EN)
Rough chopper MRC18-680 with hydraulic pusher	-	18.5+2.2	kW
Rotor knives	-	44	pcs
Fixed knives	-	2	pcs
Hopper volume	-	0.95	m ³
Belt conveyor with drum magnet	-	0.37	kW
Granulator GR22-350	22	22	kW
Rotor knives	5	5	pcs
Fixed knives	2	2	pcs
Separator SE25 with electronic speed regulation	0.55	0.55	kW
Deck area	0.25	0.25	m ²
Blower for separator with air intake filter	1.5	1.5	kW
Air extractor (aspiration)	4	4	kW
Air amount	3000	3000	m ³ /h
Optional: Belt conveyor with drum magnet- for steel-free copper	0.37	0.37	kW
Total installed power	31	52	kW
Weight, approx.	3400	5000	kg
Maximum infeed capacity*	300	500	kg/h

*Maximum infeed capacity is based on power cable with a copper content of 50-60%
 Additional equipment for recovery of fines from the plastic is available on request
 With reservation for technical alterations

