

ELDAN Super Choppers - II

Up to 40000 kg/h



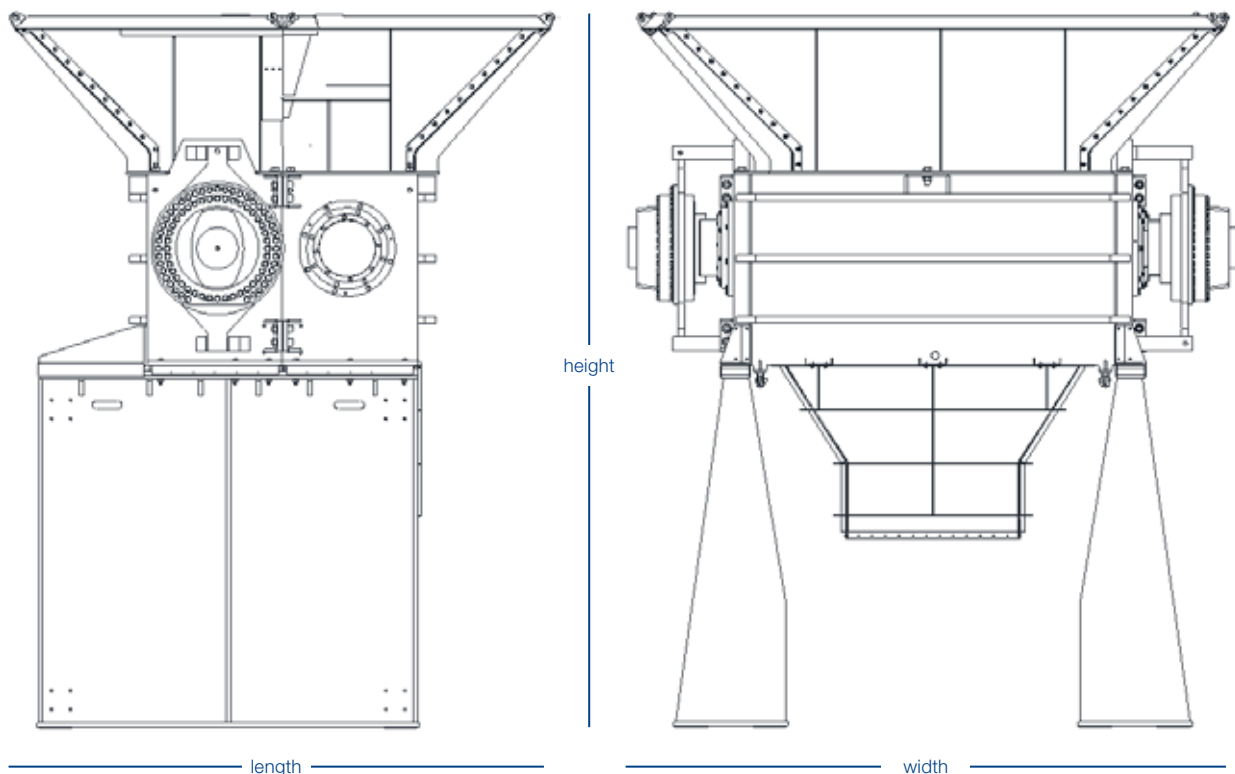
SUPER CHOPPERS - II

The ELDAN Super Choppers are heavy duty pre-choppers designed as first step in any recycling process. The Super Choppers can be used for pre-chopping of most materials like tyres (without prior debanding), all types of aluminium scrap, cables, electronic and electrical waste (i.e. WEEE), refrigerators, municipal solid waste (i.e. MSW), wind turbine wings (cut-off), plastics and industrial waste.

- Low speed, high torque enabling processing of tough material
- Powered directly by hydraulic motor and power unit enabling automatic reverse for overload protection to minimizing knife damages
- Starts up when fully loaded with material reducing downtime after shutdown
- Adjustable knife clearance optimizes the cutting function
- The knives can be reground multiple times on a “flat-bed” grinder ensuring long life and low operation costs
- The machine is designed for quick and easy change of knives
- Unique rotor manufactured and designed for minimum wear
- Hydraulic operated opening for easy access to the rotor



Super Choppers - II



Technical specifications	SC1412-II	SC2118-II	Units (EN / US)
Electrical motor *	2 x 160 / 2 x 215	2 x 250 / 2 x 335	kW / hp
Hydraulic motor *	2 x CB400	2 x CB560	pcs
Rotor length	1400 / 55	2100 / 82	mm / in
Rotor speed	0-28	0-21	rpm
Knives - flying	24	36	pcs
Knives - static	14	20	pcs
Capacity **	Up to 30000 / 66000	Up to 40000 / 88000	kg/lbs per production hour
Weight (approx.)	28000 / 62000	42000 / 93000	kg / lbs
Length	4600 / 181	5500 / 217	mm / in
Width	5100 / 201	5900 / 233	mm / in
Height	4900 / 193	5300 / 209	mm / in

Standard voltage: 3 ph, 400 V, 50 Hz - for other voltages please contact our sales department

* Other motor options available on request

** Depending on type of input material and method of feeding

