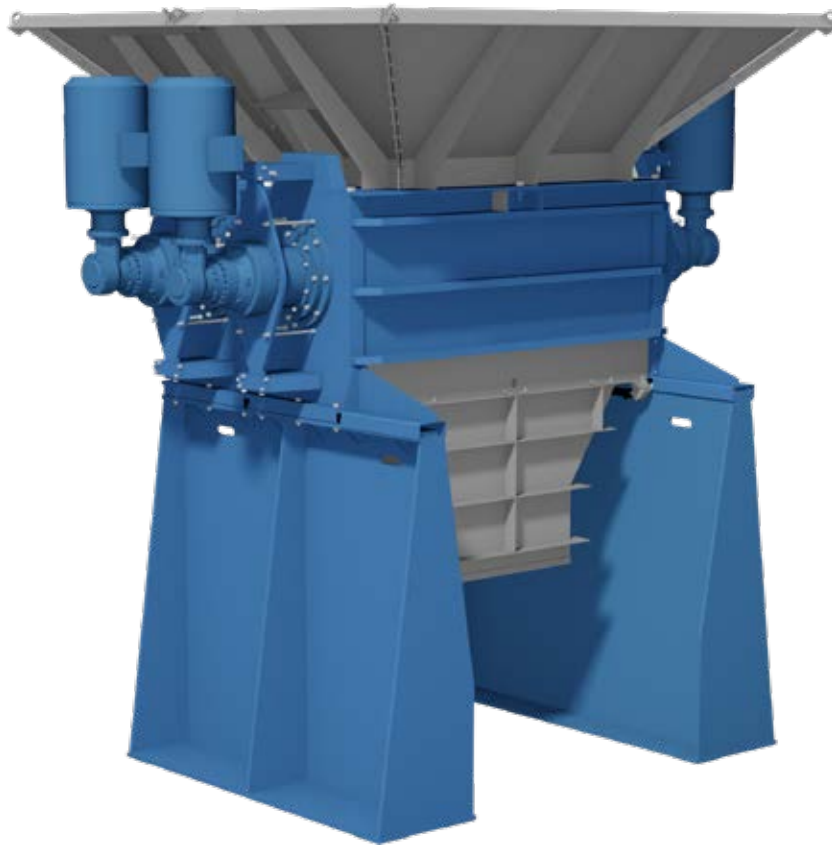


ELDAN Super Chopper II - SC2118/SC2109-II FD

Up to 40000 kg/h



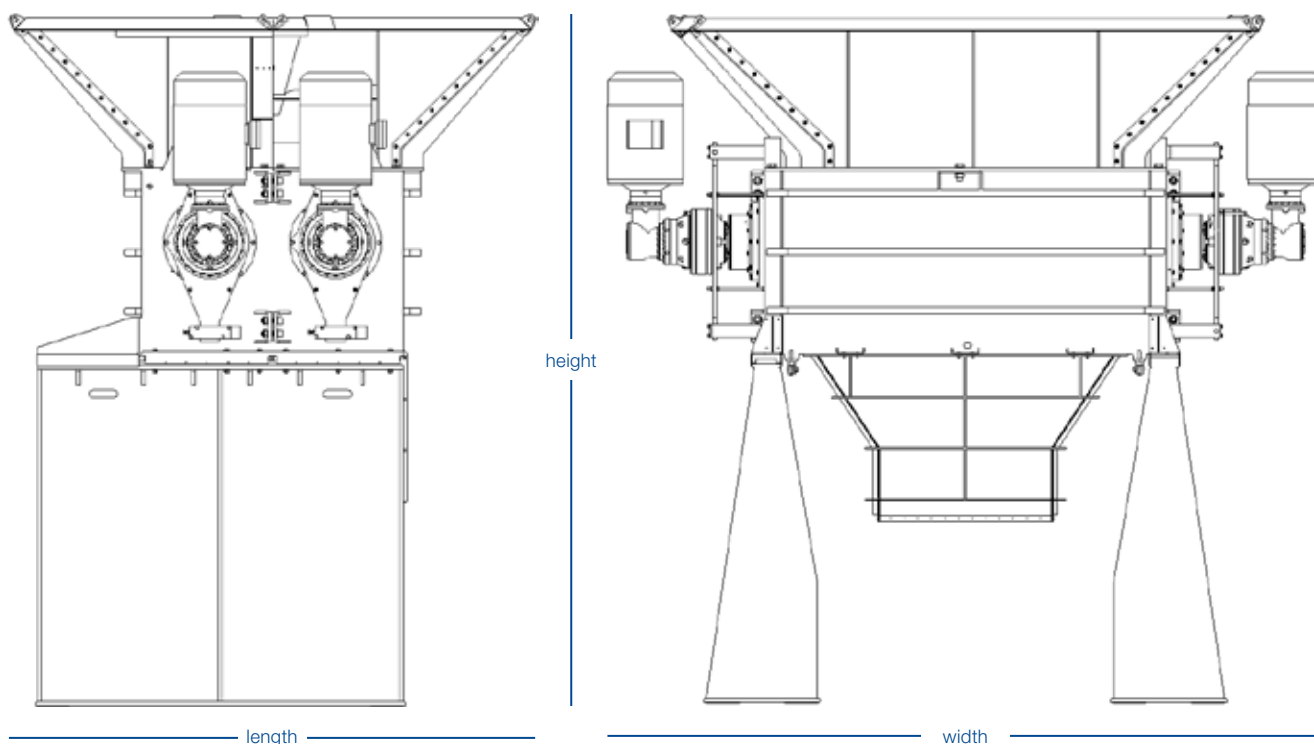
SUPER CHOPPER II - SC2118/SC2109-II frequency drive

The ELDAN Super Choppers are heavy duty pre-choppers designed as first step in any recycling process. The Super Choppers can be used for pre-chopping of most materials like tyres (without prior debanding), all types of aluminium scrap, cables, electronic and electrical waste (i.e. WEEE), refrigerators, municipal solid waste (i.e. MSW), wind turbine wings (cut-off), plastics and industrial waste.

- Low speed, high torque enabling processing of tough material
- Powered directly by Planetary gear and frequency converter enabling automatic reverse for overload protection to minimize knife damages
- Starts up when fully loaded with material, thus reducing downtime after shutdown
- Adjustable knife clearance optimizes the cutting function
- The knives can be reground multiple times on a “flat-bed” grinder ensuring long life and low operation costs
- The machine is designed for quick and easy change of knives
- Unique rotor manufactured and designed for minimum wear
- Hydraulic operated opening for easy access to the rotor
- The rotors can be individually controlled
- Rough screening bars ensure reduced output size with the option of reducing output down to <100 mm / 4"
- Frequency drive reduces power consumption by up to 50%



Super Chopper II - SC2118/SC2109-II FD



Technical specifications	SC2109-II FD 300	SC2118-II FD 300	SC2109-II FD 440	SC2118-II FD 440	Units (EN / US)
Electrical motor	4 x 75 / 4 x 100	4 x 75 / 4 x 100	4 x 110 / 4 x 150	4 x 110 / 4 x 150	kW / hp
Frequency drive	4 x planetary gear	4 x planetary gear	4 x planetary gear	4 x planetary gear	pcs
Rotor length	2100/ 83 each	2100 / 83 each	2100 / 83 each	2100 / 83 each	mm / in
Rotor speed	5-30	5-30	5-30	5-30	rpm
Knives - flying	18	36	18	36	pcs
Knives - static	20	20	20	20	pcs
Capacity *	Up to 30000 / 66200	Up to 30000 / 66200	Up to 40000 / 88200	Up to 40000 / 88200	kg/lbs per production hour
Weight (approx.)	40000 / 88200	40000 / 88200	40500 / 89300	40500 / 88300	kg / lbs
Length	5500 / 217	5500 / 217	5500 / 217	5500 / 217	mm / in
Width	5900 / 232	5900 / 232	5900 / 232	5900 / 232	mm / in
Height	5300 / 209	5300 / 209	5300 / 209	5300 / 209	mm / in

Standard voltage: 3 ph, 400 V, 50 Hz - for other voltages please contact our sales department

* Depending on type of input material and method of feeding

