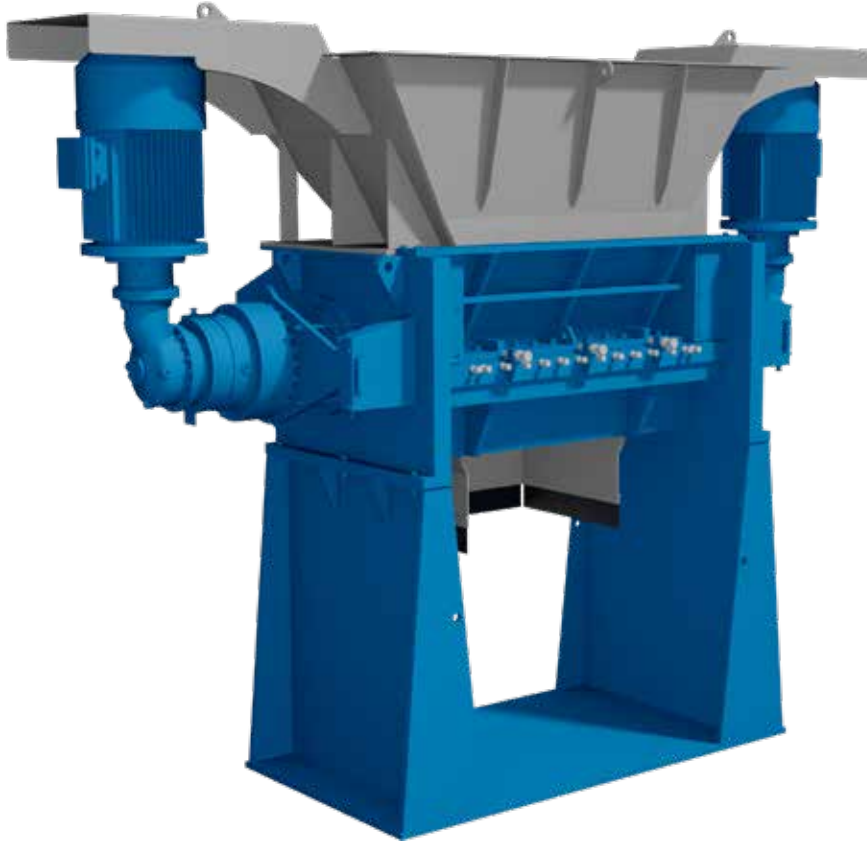


ELDAN Super Chopper - SC2118/SC2109 FD

Up to 25000 kg/h



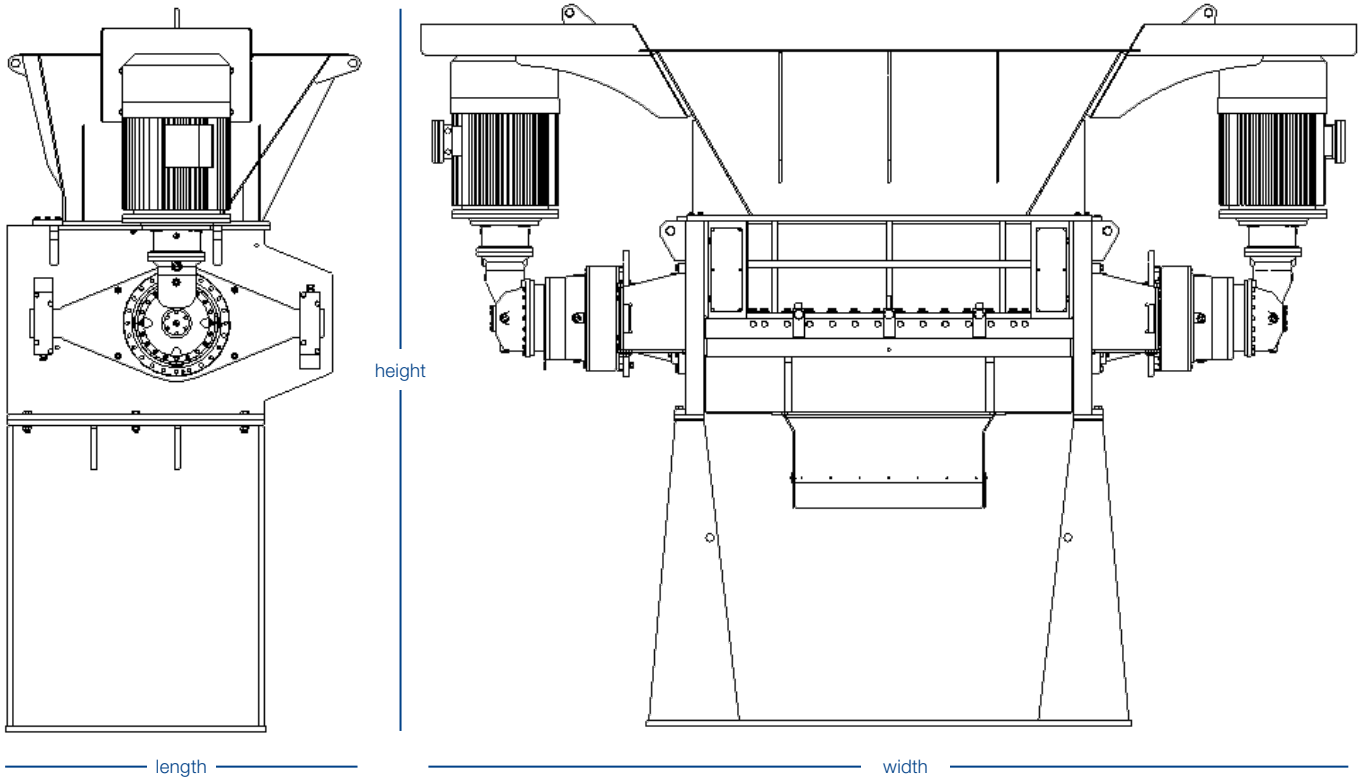
SUPER CHOPPER SC2118/SC2109 - Frequency Drive

The ELDAN Super Choppers are heavy duty pre-choppers designed as first step in any recycling process. The Super Choppers can be used for pre-chopping of most materials like tyres (without prior debanding), all types of aluminium scrap, cables, electronic and electrical waste (i.e. WEEE), refrigerators, municipal solid waste (i.e. MSW), wind turbine wings (cut-off), plastics and industrial waste.

- Low speed, high torque enabling processing of tough material
- Powered directly by Planetary gear and frequency converter enabling automatic reverse for overload protection to minimize knife damages
- Starts up when fully loaded with material, thus reducing downtime after shutdown
- Adjustable knife clearance optimizes the cutting function
- The knives can be reground multiple times on a “flat-bed” grinder ensuring long life and low operation costs
- The machine is designed for quick and easy change of knives
- Unique rotor manufactured and designed for minimum wear
- Optional hydraulic operated upper part for easy access to the rotor
- Rough screening bars ensure reduced output size with the option of reducing output down to <math><100\text{ mm}</math> / 4"
- Frequency drive reduces power consumption by up to 50%



Super Choppers - SC2118/SC2109 FD



Technical specifications	SC2118 FD150	SC2118 FD220	SC2109 FD150	SC2109 FD220	Units (EN / US)
Electrical motor	2 x 75 / 2 x 100	2 x 110 / 2 x 150	2 x 75 / 2 x 100	2 x 110 / 2 x 150	kW / hp
Frequency drive	2 x planetary gear	2 x planetary gear	2 x planetary gear	2 x planetary gear	pcs
Rotor length	2100 / 83	2100 / 83	2100 / 83	2100 / 83	mm / in
Rotor speed	5-30	5-30	5-30	5-30	rpm
Knives - flying	18	18	9	9	pcs
Knives - static	10	10	10	10	pcs
Capacity *	Up to 20000 / 44100	Up to 25000 / 55100	Up to 20000 / 44100	Up to 25000 / 55100	kg/lbs per production hour
Weight (approx.)	24000 / 53000	24500 / 54000	24000 / 53000	24500 / 54000	kg / lbs
Length	2450 / 96	2450 / 96	2450 / 96	2450 / 96	mm / in
Width	5650 / 222	5650 / 222	5650 / 222	5650 / 222	mm / in
Height	4250 / 167	4250 / 167	4250 / 167	4250 / 167	mm / in

Standard voltage: 3 ph, 400 V, 50 Hz - for other voltages please contact our sales department

* Depending on type of input material and method of feeding

