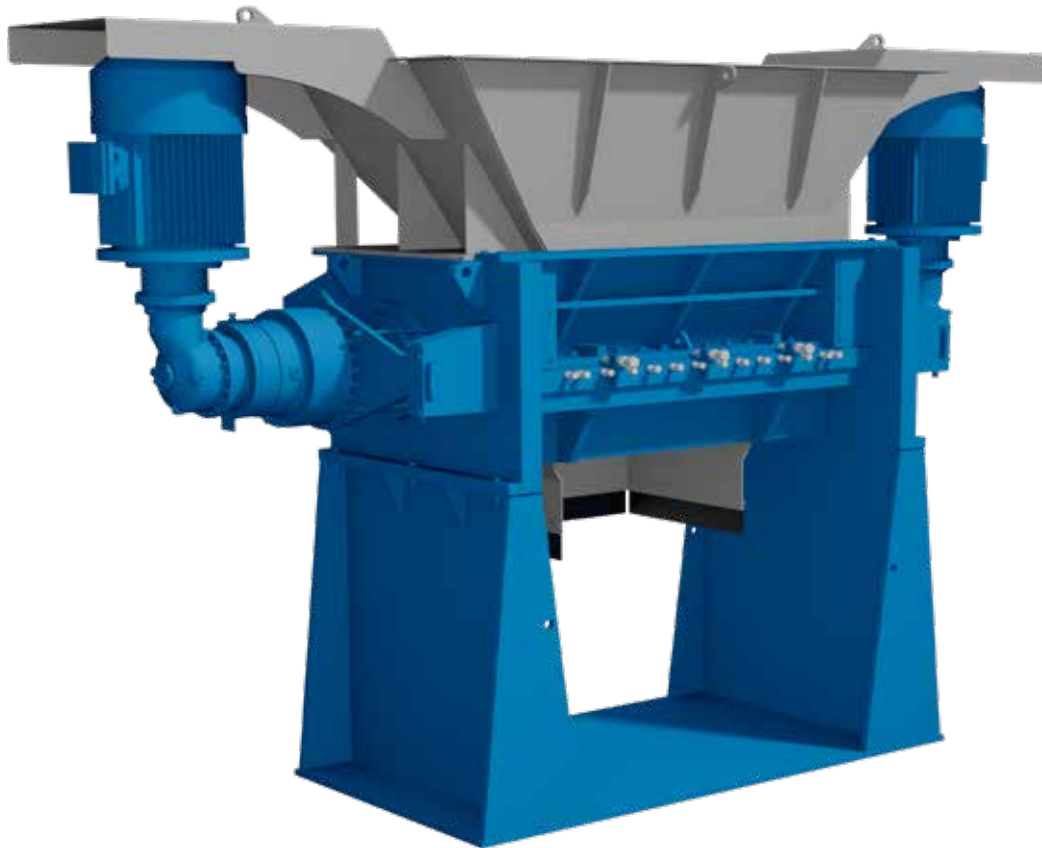


# ELDAN Super Chopper - HD frequency drive

Up to 18000 kg/h



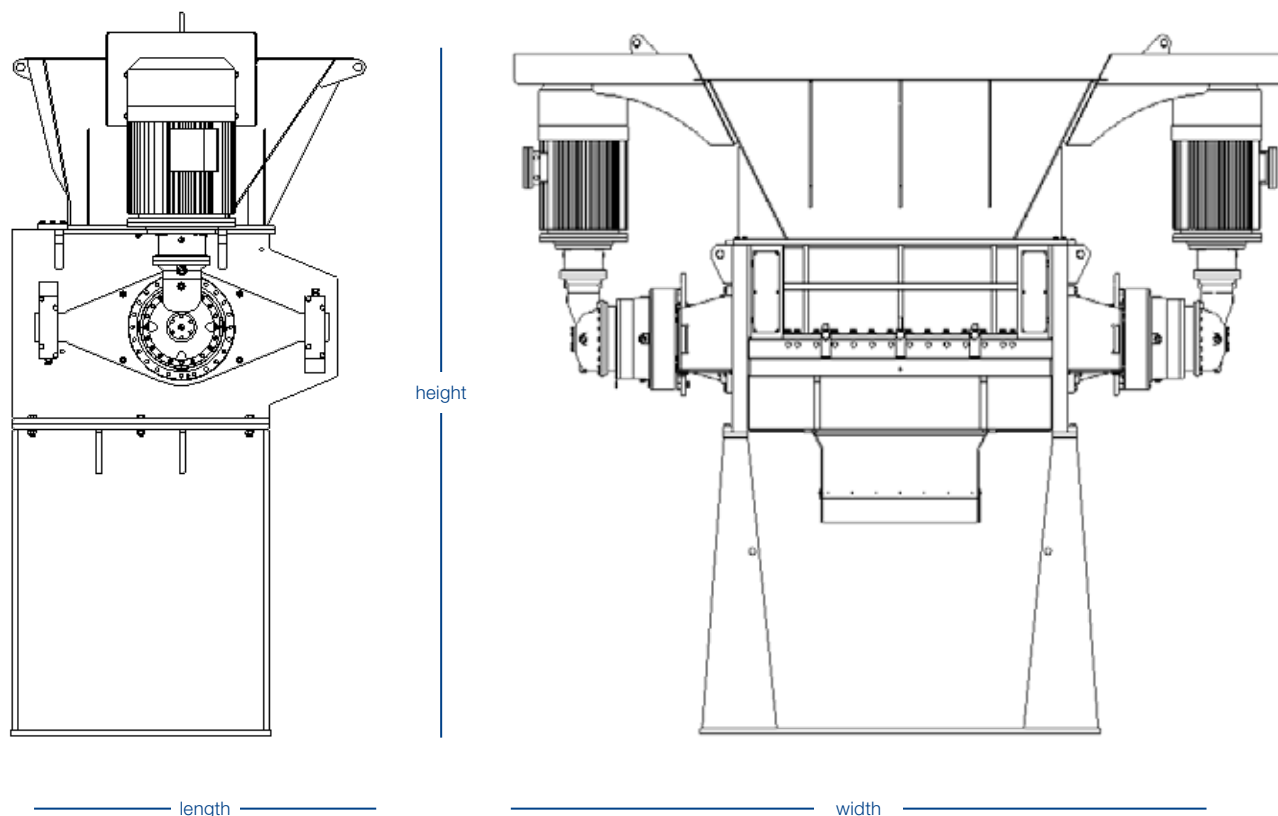
## SUPER CHOPPERS HD (Heavy-Duty) frequency drive

The ELDAN Super Choppers are heavy duty pre-choppers designed as first step in any recycling process. The ELDAN Super Chopper HD frequency drive is designed to process more voluminous and tougher waste than the standard ELDAN Super Chopper. It can pre-chop materials like tyres (car and truck tyres without prior de-beading), aluminium (profiles, used beverage cans), cables, copper scrap, electronic and electrical waste (i.e. WEEE), refrigerators, municipal solid waste (i.e. MSW), magnesium and wind turbine wings (cut off).

- Low speed, high torque enabling processing of tough material
- Powered directly by Planetary gear and frequency converter enabling automatic reverse for overload protection to minimize knife damages
- Starts up when fully loaded with material, thus reducing downtime after shutdown
- Adjustable knife clearance optimizes the cutting function
- The knives can be reground multiple times on a “flat-bed” grinder ensuring long life and low operation costs
- The design of the machine guarantees quick change of knives
- The rotor is manufactured from wear resistant steel and designed for minimum wear
- Rough screening bars ensure reduced output size with the option of reducing output down to <100 mm / 4"
- Frequency drive reduces power consumption by up to 50%
- To be delivered with open or closed inlet hopper depending on material and demand



# Super Chopper HD frequency drive



Technical specifications	SC1412HD FD220	Units (EN / US)
Electrical motor	2 x 110 / 2 x 150	kW / hp
Frequency drive	2 x planetary gear	pcs
Rotor length	1400 / 55	mm / in
Rotor speed	5-30	rpm
Knives - flying	12	pcs
Knives - static	7	pcs
Capacity *	Up to 18000 / 40000	kg/lbs per production hour
Weight (approx.)	21500 / 47400	kg / lbs
Length	2200 / 90	mm / in
Width	5550 / 220	mm / in
Height	4500 / 180	mm / in

Standard voltage: 3 ph, 400 V, 50 Hz - for other voltages please contact our sales department

\* Depending on type of input material and method of feeding

