



# Eldan Separation Table



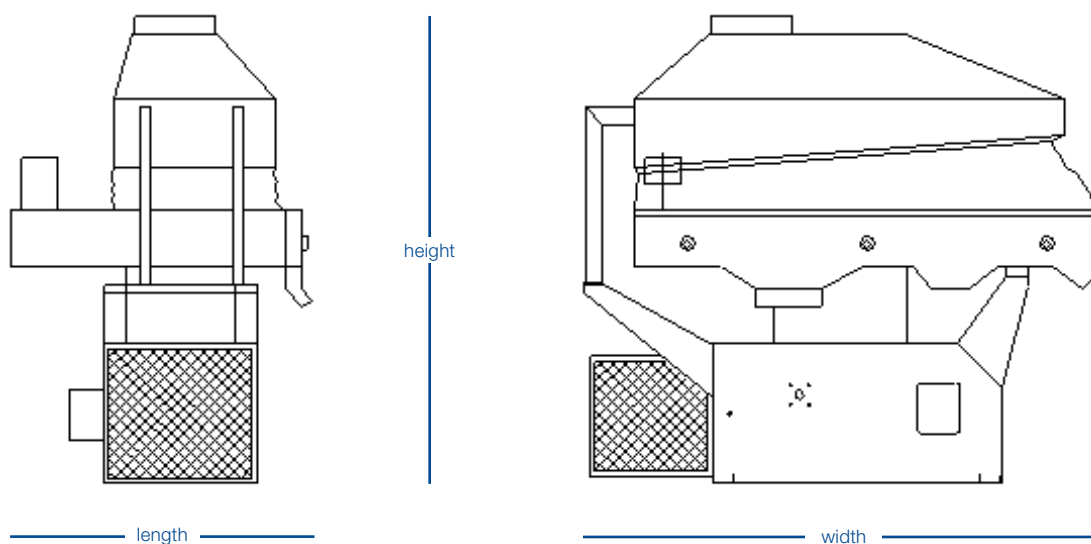
The Eldan Separation Table is an essential machine in the Eldan material separation solutions. The Separation table is used in recycling of:

- Cables (aluminium or copper)
- Electronic and electrical waste (i.e. WEEE)
- Aluminium scrap
- Tyres (upgrading quality by removing foreign objects)
- Shredder light fraction (SLF/ASR)
- Etc.



## Features

- The separation table gives a high quality result – almost 100% clean main fraction
- The material is divided into the following output fractions to ensure optimum purity:
  - Dust: removed via the dust suction system
  - Main fraction: taken from the top of the incline
  - Light fraction: taken from the bottom of the incline
  - Middling fraction: taken from the middle of the incline (and taken back for reprocessing)
- Easily accessible adjustment controls enables adjustment during actual operation



Technical Specifications	C12	C15	C22	C26
Deck surface	0,45 m <sup>2</sup>	0,80 m <sup>2</sup>	1,44 m <sup>2</sup>	2,15 m <sup>2</sup>
Air volume	Approx. 6000 m <sup>3</sup> /hour	Approx. 8000 m <sup>3</sup> /hour	Approx. 10.000m <sup>3</sup> /hour	Approx. 12.000 m <sup>3</sup> /hour
Power deck motor	0,75 kW	0,75 kW	1,10 kW	1,10 kW
Power fan	7,50 kW	7,50 kW	11,00 kW	15,00 kW
Number of outlets	3	3	5	5
Capacity	1000 kg/production hour	1500 kg/production hour	3000 kg/production hour	4500 kg/production hour
Weight	650 kg	725 kg	925 kg	1100 kg
Length x width x height	1950 x 1060 x 2300 mm	2100 x 1270 x 2350 mm	2780 x 1590 x 2600 mm	2900 x 1700 x 2600 mm

Standard voltage: 3 ph, 400, 50 Hz – for other voltages please contact our sales department