

# ELDAN Raspers - 807/1207

Up to 2000 kg/h



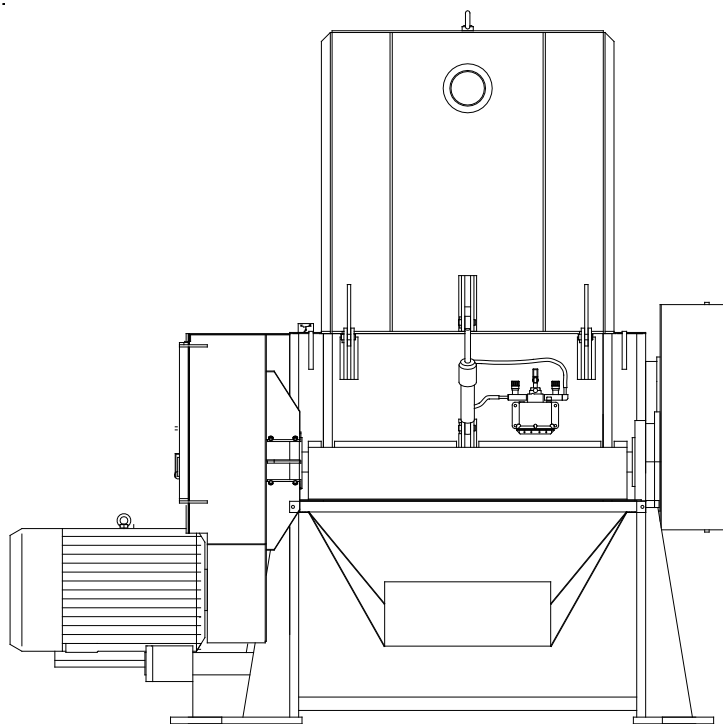
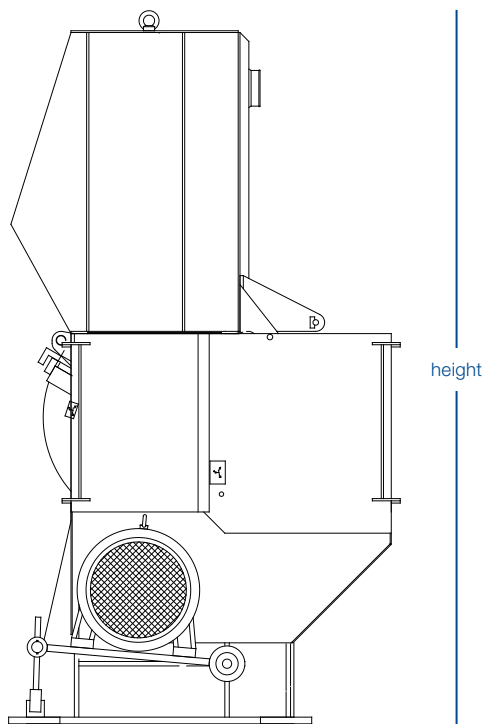
## RASPERS

The ELDAN Raspers are used for primary size reduction of material in small and medium capacity recycling plants. The Raspers are the ideal solution for preparing the following material for granulation: Cables, electronic and electrical waste (i.e. WEEE), etc.

- Friction clutches protect the drive system from momentary overload
- Adjustable knife clearance optimizes the cutting function
- The knives can be reground multiple times on a "flat-bed" grinder ensuring long life and low operation costs
- Designed for quick and easy change of knives and screens
- Hydraulically operated inlet hopper provides easy access to the cutting chamber for maintenance
- The rotor is manufactured and designed for minimum wear
- Screens with different hole sizes are available for flexible production
- Exchangeable wear parts ensure virtually indestructible machine



# Raspers



Technical specifications	R807	R1207	Units (EN / US)
Motor	75 / 100	90 / 120	kW / hp
Rotor	800 / 32	1200 / 48	mm / in
Rotor speed	120	120	rpm
Knives - flying	8	12	pcs
Knives - static	2	3	pcs
Capacity*	Up to 1200 / 1656	Up to 2000 / 4410	kg/lbs
Weight (approx.)	5500 / 12130	6900 / 15210	kg / lbs
Length	1750 / 69	1750 / 69	mm / in
Width	2850 / 113	3250 / 128	mm / in
Height	3200 / 126	3200 / 126	mm / in
Motor speed	1400	1400	rpm

\* Depending on type of input material, method of feeding and screen size  
 Standard voltage: 3 ph, 400, 50 Hz – for other voltages please contact our sales department

