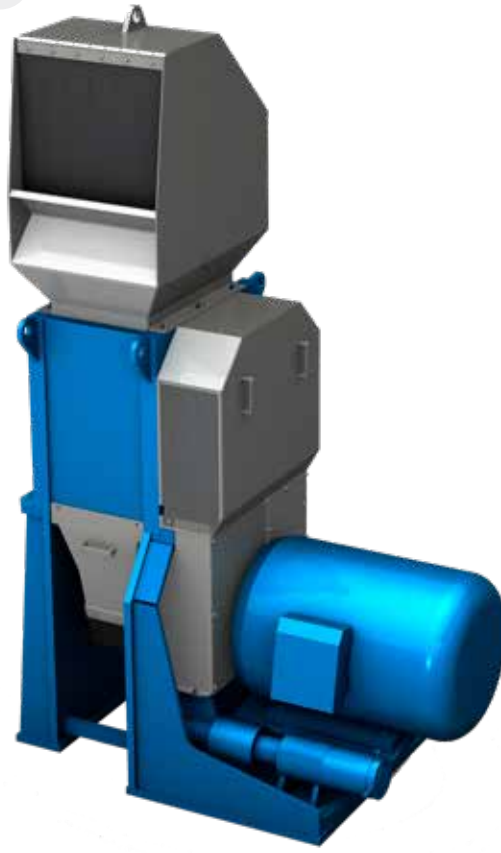


ELDAN Rasper - 400-3

Up to 400 kg/h



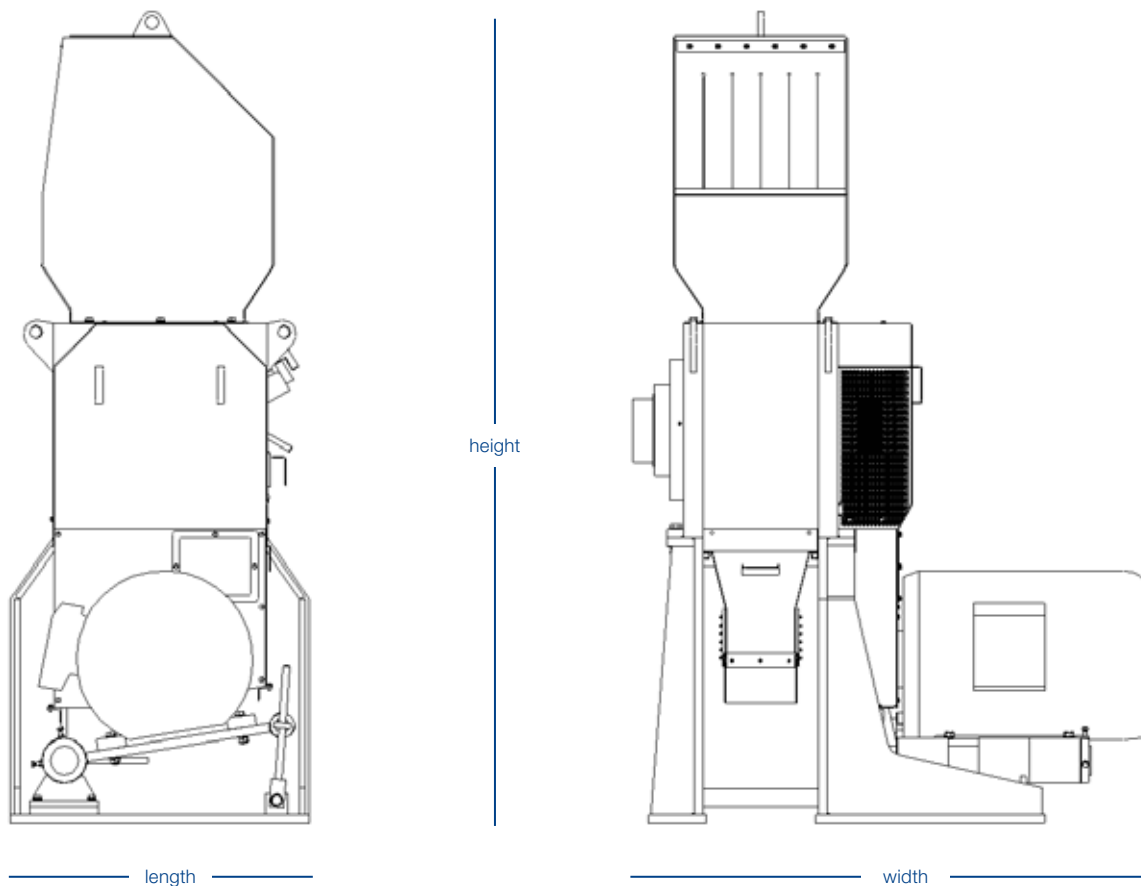
RASPER

The ELDAN Rasper R400-3 is used for primary size reduction of material in small capacity cable recycling systems. This Rasper is the ideal solution for preparing all types of dry cables including steel armoured cables for granulation. Max. cable diameter Ø40 mm.

- Adjustable knife clearance optimizes the cutting function
- The knives can be reground multiple times on a "flat-bed" grinder ensuring long life and low operation costs
- The rotor is manufactured and designed for minimum wear
- Screens with different hole sizes are available for flexible production
- Designed for quick and easy change of screens



Rasper - 400-3



Technical specifications	R400-3	Units (EN / US)
Motor	30 / 40	kW / hp
Rotor length	405 / 16	mm / in
Rotor diameter (Ø)	332 / 13	mm / in
Rotor speed	190	rpm
Knives - flying	4	pcs
Knives - static	1	pcs
Capacity*	Up to 400 / 880	kg / lbs
Weight (approx.)	3750 / 8270	kg / lbs
Length	1210 / 48	mm / in
Width	1845 / 73	mm / in
Height	2760 / 109	mm / in
Motor speed	738	rpm

* Depending on type of input material, method of feeding, and screen size
 Standard voltage: 3 ph, 400, 50 Hz – for other voltages please contact our sales department

