

ELDAN Multi Purpose Rasper

Up to 10000 kg/h



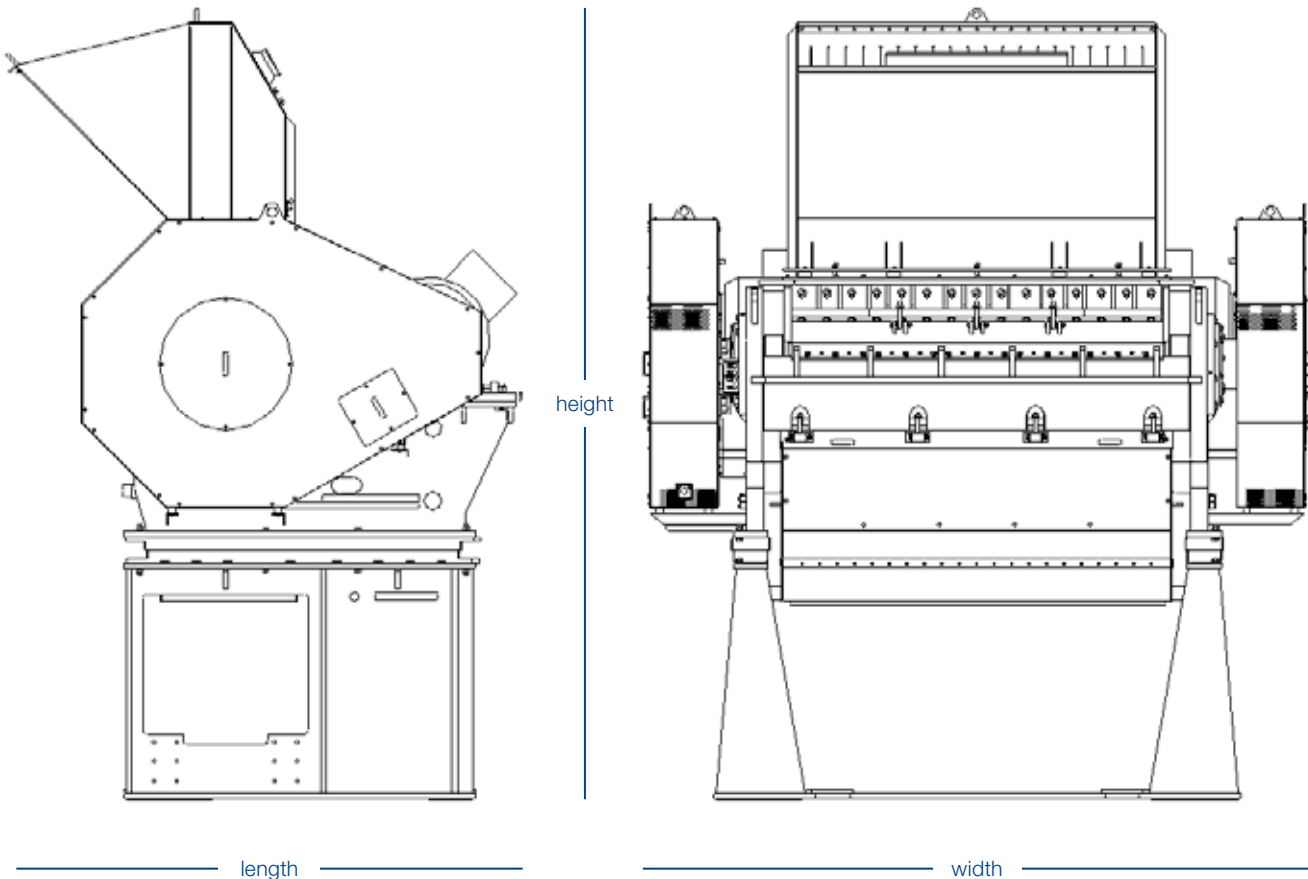
MULTI PURPOSE RASPER

The ELDAN Multi Purpose Rasper is a heavy duty rasper for initial and secondary size reduction of materials like: tyres, steel cord cleaning, aluminium scrap (all types), cables, electronic and electrical waste (i.e. WEEE), refrigerators, industrial waste, oil filters, etc.

- High inertia from the flywheel ensures an even load on the machine, thus yielding a higher cutting power
- Friction clutches protect the machine from material overload
- Belt driv ensures a simple transmission
- Adjustable knife clearance optimizes the cutting function
- Knives can be reground multiple times on a “flat-bed” grinder ensuring long life and low operation costs
- Designed for quick and easy change of knives and screens
- The rotor is manufactured and designed for minimum wear
- Screens with different hole sizes are available for flexible production
- Exchangeable wear parts ensures a virtually indestructible machine



Multi Purpose Rasper



OPTIONAL FEATURE

The Multi Purpose Rasper can be delivered with frequency converter for added benefits:

- Starts up when fully loaded with material, reducing downtime after shutdown
- Enables adjustable rotor speed
- Reduced power supply costs
- Reduced power consumption by up to 40%

Technical Specifications	MPR80	MPR120	MPR160	MPR200	Units (EN)
Motor	90 / 120	132 / 175	2 x 90 / 2 x 120	2 x 110 / 2 x 150	kW / hp
Rotor length	800 / 32	1200 / 48	1600 / 64	2000 / 80	mm / in
Rotor speed	144	144	144	144	rpm
Knives - flying	20	30	40	50	pcs
Knives - static	11	16	21	26	pcs
Capacity*	Up to 5000 / 11000	Up to 7000 / 15000	Up to 8500 / 19000	Up to 10000 / 22000	kg / lbs
Belt driven	Single	Single	Twin	Twin	
Weight	17000 / 37000	19000 / 42000	21000 / 46000	23000 / 50000	kg / lbs
Length	2600 / 104	2600 / 104	2600 / 104	2600 / 104	mm / in
Width	3000 / 120	3000 / 120	3400 / 136	3800 / 152	mm / in
Height	4500 / 180	4500 / 180	4500 / 180	4500 / 180	mm / in
Opening to cutting	600 x 800 / 24 x 32	600 x 1200 / 24 x 64	750 x 1600 / 30 x 64	750 x 2000 / 30 x 80	mm / in

* Depending on type of input material, method of feeding and screen size
Standard voltage: 3 ph, 400 V, 50 Hz – for other voltages please contact our sales department

