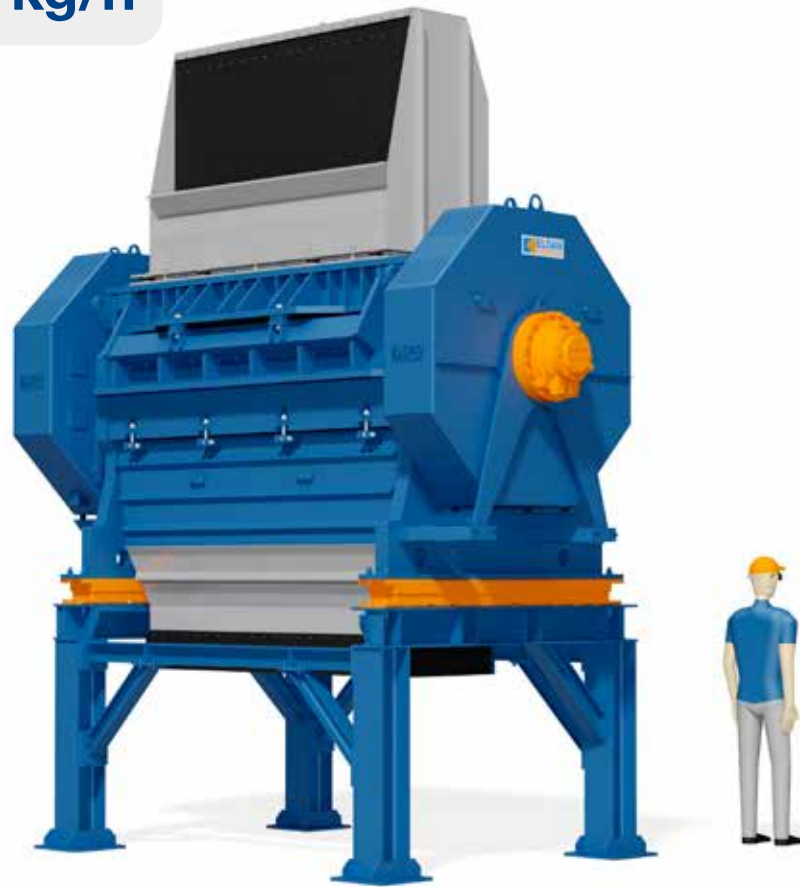


ELDAN Multi Purpose Raspers - hydraulic

Up to 16000 kg/h



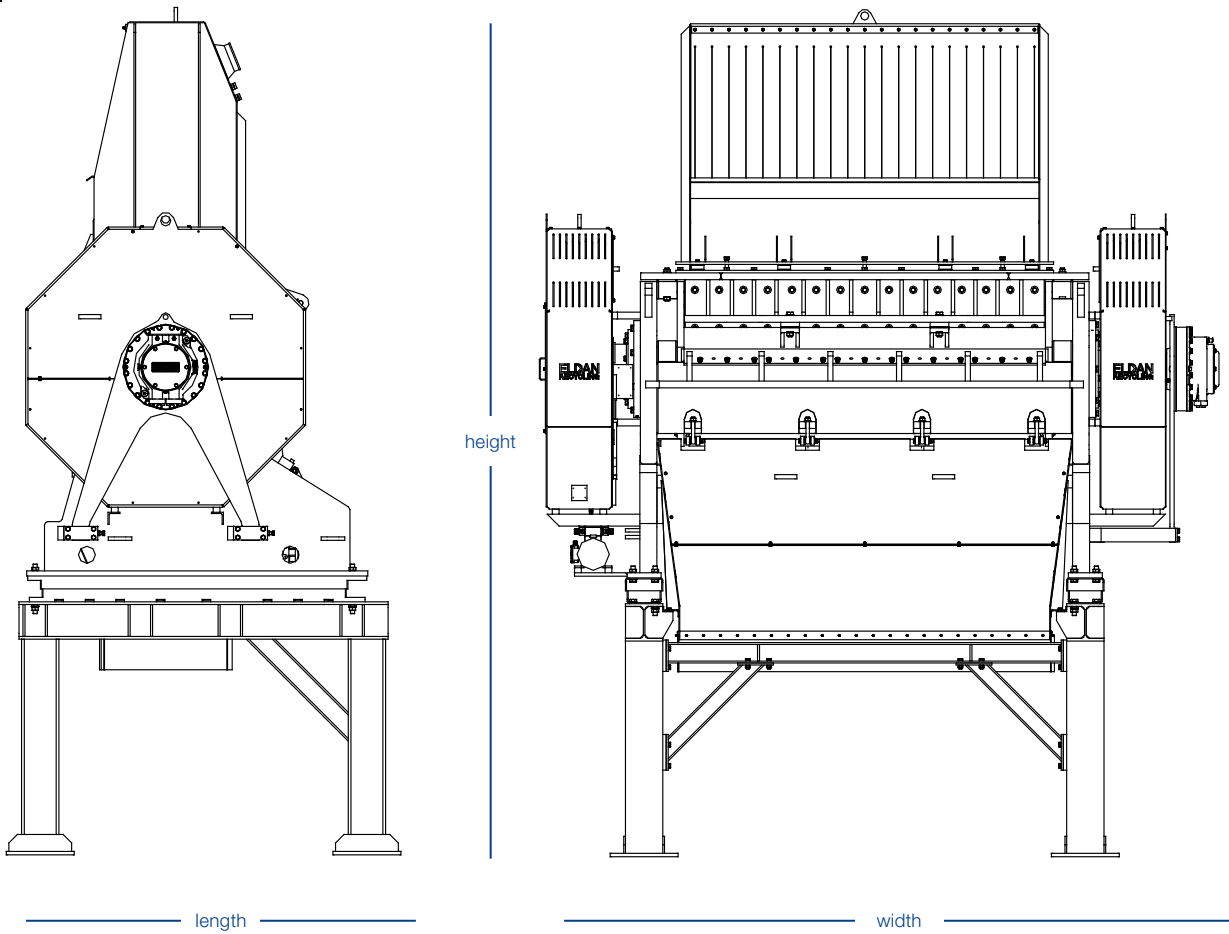
MULTI PURPOSE RASPER - hydraulic model

The ELDAN Multi Purpose Rasper (hydraulic model) is a heavy duty rasper for initial and secondary size reduction of materials like: tyres, steel cord cleaning, aluminium scrap (all types), cables, electronic and electrical waste (i.e. WEEE), refrigerators, industrial waste, oil filters, etc.

- High inertia from the flywheel ensures an even load of the machine, thus yielding a higher cutting power
- Friction clutches protect the machine from material overload
- Adjustable knife clearance optimizes the cutting function
- The knives can be reground multiple times on a “flat-bed” grinder ensuring long life and low operation costs
- Designed for quick and easy change of knives and screens
- The rotor is manufactured and designed for minimum wear
- Screens with different hole sizes available for flexible production
- Exchangeable wear parts give you a virtually indestructible machine
- Powered directly by hydraulic motor and power unit, enabling automatic reverse
- Adjustable rotor speed for optimum processing of most materials



Multi Purpose Rasper - hydraulic



Technical Specifications	MPR163HD	MPR203HD	Units (EN)
E-motor	250 / 335	315 / 425	kW / hp
Hydraulic motor*	CA 50	CA 100	
Rotor length	1600 / 64	2000 / 80	mm / in
Rotor speed	0-140	0-140	rpm
Knives - flying	40	50	pcs
Knives - static	21	26	pcs
Capacity**	Up to 14000 / 31000	Up to 16000 / 35000	kg / lbs
Weight	24000 / 53000	27000 / 59000	kg / lbs (incl. hydraulic unit)
Length	2330 / 93	2330 / 93	mm / in
Width	3580 / 143	3980 / 159	mm / in
Height	4990 / 200	4990 / 200	mm / in
Opening to cutting chamber	750 x 1600 / 30 x 64	750 x 2000 / 30 x 80	mm / in

* Depending on application

** Depending on type of input material, method of feeding and screen size

Standard voltage: 3 ph, 400 V, 50 Hz – for other voltages please contact our sales department

