

ELDAN Heavy Granulators

Up to 8000 kg/h



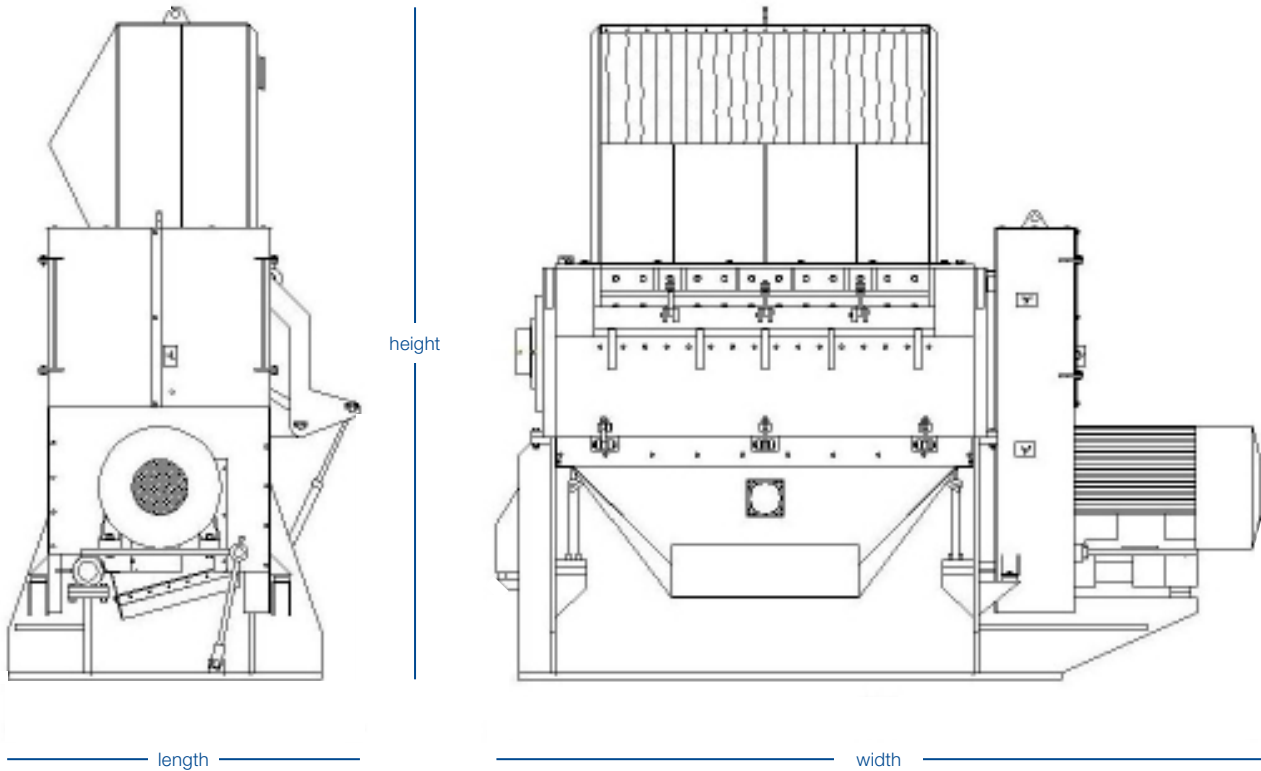
HEAVY GRANULATORS

The high-speed, single shaft Heavy Granulators from ELDAN are ideally suited for the initial stage of granulation. The Heavy Granulators can be used for size reduction of materials like electronic and electrical waste (i.e. WEEE), cables (pre-chopped), aluminium scrap (all types), shredder light fraction (SLF/ASR), municipal solid waste (i.e. MSW), plastics, etc.

- High speed, single shaft granulator
- Friction clutches protect the machine from material overload
- Adjustable knife clearance optimizing the cutting function
- The knives can be reground multiple times on a “flat-bed” grinder ensuring long life and low operation costs
- Designed for quick and easy change of knives, screens, and wear plates in the main housing
- Straight knives in exchangeable cassettes ensure a clean cut
- The rotor is manufactured and designed for minimum wear
- Hydraulic opening of rotor housing for easy access to rotor and knives
- Screens are available with different hole sizes
- Screens with different hole sizes are available for flexible production
- Exchangeable wear parts ensures a virtually indestructible machine



Heavy Granulators



Technical specifications	HG129	HG169	HG209	Units (EN/US)
Motor	90 / 120	110 / 150	160 / 215	kW / hp
Rotor length	1200 / 48	1600 / 63	2000 / 79	mm / in
Rotor speed	400	400	400	rpm
Knives - flying	15	20	25	pcs
Knives - static	6	8	10	pcs
Capacity*	Up to 5000 / 11000	Up to 6000 / 13200	Up to 8000 / 17600	kg/lbs
Weight (approx.)	12500 / 27600	15600 / 34400	23000 / 50700	kg / lbs
Length	1800 / 71	1800 / 71	2350 / 93	mm / in
Width	3450 / 136	3900 / 154	4600 / 182	mm / in
Height	3450 / 136	3450 / 136	4350 / 172	mm / in
Motor speed	1480	1480	1480	rpm

Standard voltage: 3 ph, 400, 50 Hz – for other voltages please contact our sales department
 * Depending on type of Input material, method of feeding and screen size

