

Up to 1400 kg/h



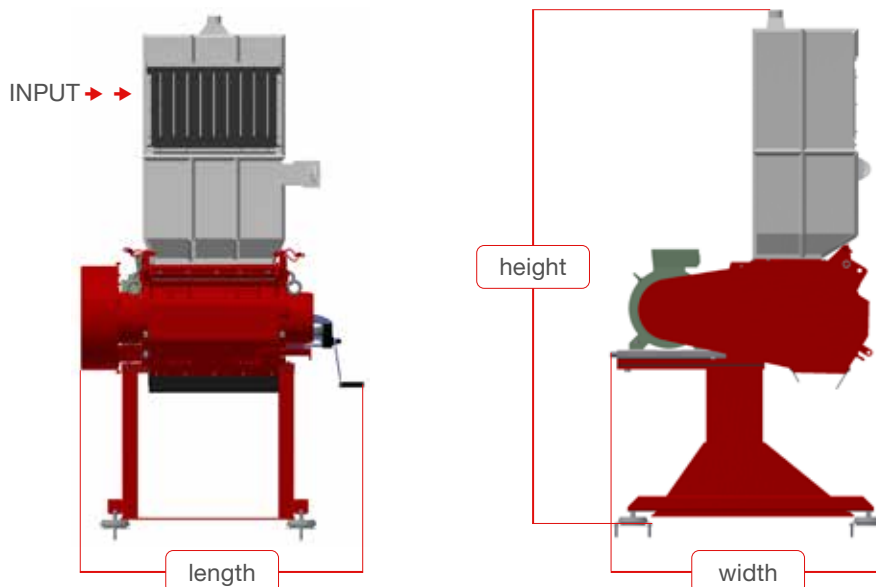
GRANULATOR (GR)

The Redoma Granulators are intended for chopping cables down to granule size. We offer three different sizes installed in our well-known cable recycling plants Thunderhawk, Powerkat, and Firefox, as well as two twin-granulators.

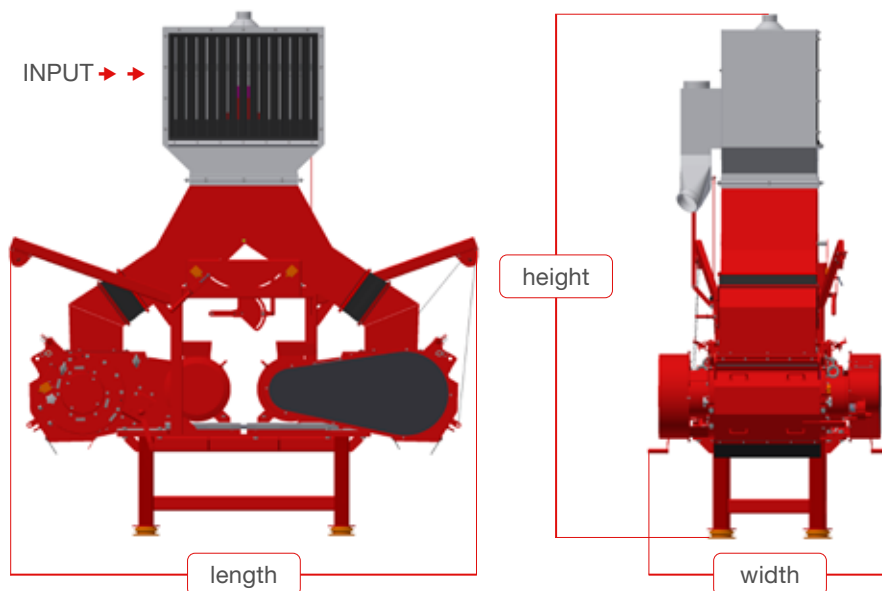
- Robust and reliable machine
- Rotor knives are pre-adjusted in a jig outside the granulator for quick change
- All 4 edges of the fixed knives can be used
- Bearings are 100% protected from dirt
- Wear resistant design
- Housing inside is protected against wear and tear with easily replaceable wear discs and wear bar
- Easy access to knives and screen
- Screens with different hole sizes available
- No oversize for transport

Granulator

SINGLE GRANULATOR



TWIN-GRANULATOR



Technical Specifications	GR22-350	GR37-500	GR45-660	Twin GR37	Twin GR45	Dimensions Units (EN)
Motor for rotor	22	37	45	2 x 37	2 x 45	kW
Rotor length	350	500	660	500	660	mm
Rotor diameter	350	350	400	350	400	mm
Rotor knives	5	5	2 x 5	5*	2 x 5*	pcs
Fixed knives	2	2	2	2*	2*	pcs
Overall length	1280	1370	1400	2760	2800	mm
Overall width	840	1080	1400	1310	1470	mm
Overall height	1950	2100	2850	3780	3940	mm
Weight, approx.	1630	2250	2550	4300	4940	kg
Max. capacity (**)	300	550	700	1100	1400	kg/h

*) Per Granulator

**) Based on cable with copper content of 50-60%

