

Up to 1300 kg/h



FIREFOX (FF)

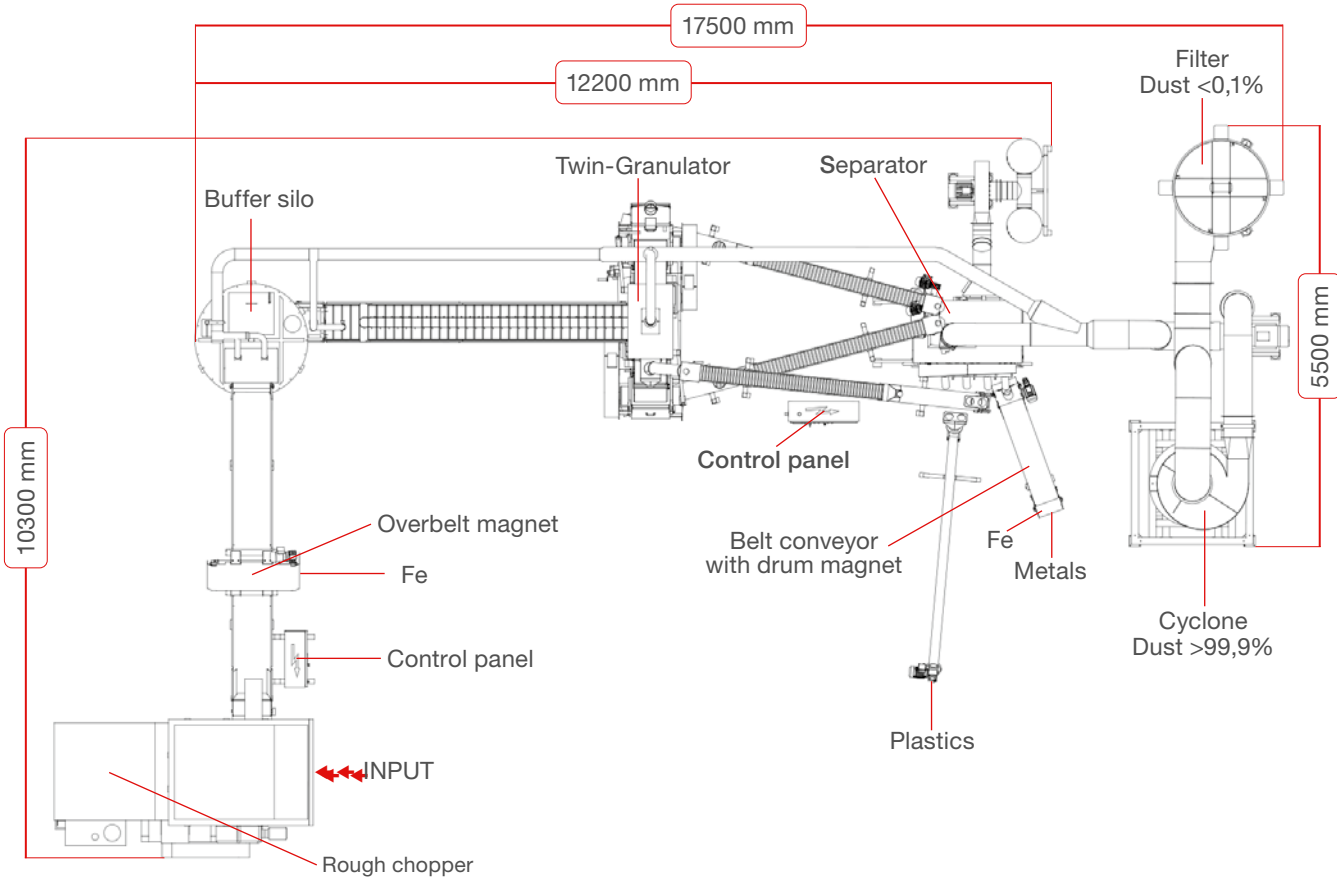
A cable recycling plant with an excellent price/performance ratio made for tough conditions with low investment costs at an overall low cost of ownership.

The Firefox (FF) has typically a capacity of 1300 kg/h for cable with a Cu content of 50-60% (capacity depending on type of cable).

- Suitable for all types of dry cable with up to 2 mm steel reinforcement
- Cable coils and bundles can be fed into the Rough Chopper
- Cable diameter max. 100 mm, length max. 900 mm
- Suitable for forklift or crane feeding
- 55 kW Rough Chopper including hard metal knife system for long life span, hydraulic pusher, automatic buffer feeding
- Buffer Silo between Rough Chopper and Granulator increases overall capacity and ensures an efficient separation
- Granulators with wear plates of HARDOX
- Filter with a Pre-Cyclone improving working environment
- Metal purity: minimum 99.5%



Firefox



Technical Specifications Main machines	Firefox	Dimensions Units (EN)
Rough chopper MRC55-1350 with hydraulic pusher	55+4	kW
Rotor knives	92	pcs
Fixed knives	4	pcs
Hopper volume	2	m ³
Belt conveyor with overbelt magnet for steel removal	0.55+0.25	kW
Buffer silo with variable speed screw conveyor	2 x 1.5	kW
Volume	1.8	m ³
Belt conveyor	0.55	kW
Twin-Granulator 2 x GR37-500	2 x 37	kW
Rotor knives per granulator	5	pcs
Fixed knives per granulator	2	pcs
Separator SE60 with electronic speed regulation, blower	0.75 + 4.0	kW
Deck area	0.6	m ²
Air extractor (aspiration)	15	kW
Air amount	8000	m ³ /h
Belt conveyor with drum magnet for additional steel removal	0.37	kW
Screw conveyor for plastics	1.5	kW
Dust cyclone with rotary valve	0.55	kW
Total installed power	165	kW
Weight, approx.	17.500	kg
Maximum infeed capacity*	1300	kg/h

*Maximum infeed capacity is based on power cable with a copper content of 50-60%.
Additional equipment for recovery of fines from the plastic is available on request.
With reservation for technical alterations.

