

ELDAN Fine Granulators

Up to 4500 kg/h



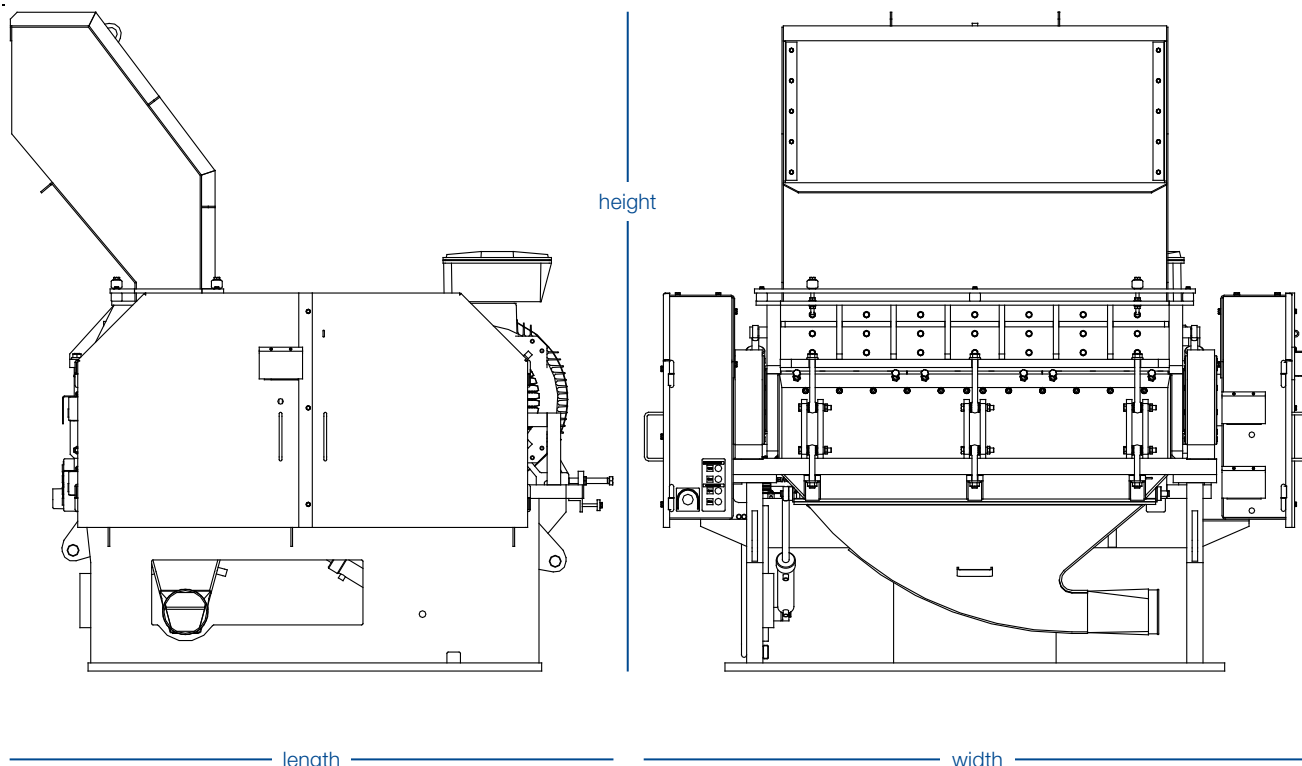
FINE GRANULATORS

The ELDAN Fine Granulators are high speed, single shaft granulators for the final granulation step. The Fine Granulators are specially designed for processing materials like tyres, cables, aluminium scrap (all types), plastics, etc.

- Adjustable knife clearance for optimizing the cutting function
- The knives can be reground multiple times on a “flat-bed” grinder ensuring long life and low operation costs
- Designed for quick and easy change of knives and screens
- Hydraulically operated inlet hopper provides easy access to the cutting chamber for maintenance
- Screens with different hole sizes are available for flexible production
- Exchangeable wear parts give you a virtually indestructible machine



Fine Granulators



Technical specifications	FG476	FG952	FG1504	Units (EN / US)
Motor	45 / 60	75 / 100	110 / 150	kW / hp
Rotor length	475 / 19	950 / 38	1425 / 56	mm / in
Rotor speed	475	475	460	rpm
Knives - flying	6	12	18	pcs
Knives - static	2	4	6	pcs
Capacity*	Up to 2000 / 4400	Up to 3500 / 7700	Up to 4500 / 9900	kg/lbs
Weight (approx.)	3400 / 7500	4400 / 9700	7750 / 17100	kg / lbs
Length	1900 / 75	1940 / 76	2100 / 83	mm / in
Width	1250 / 49	1960 / 77	2500 / 99	mm / in
Height	2800 / 110	2800 / 110	2900 / 114	mm / in
Motor speed	1480	1480	1480	rpm

* Depending on type of input material, method of feeding, and screen size
 Standard voltage: 3 ph, 400 V, 50 Hz – for other voltages please contact our sales department

