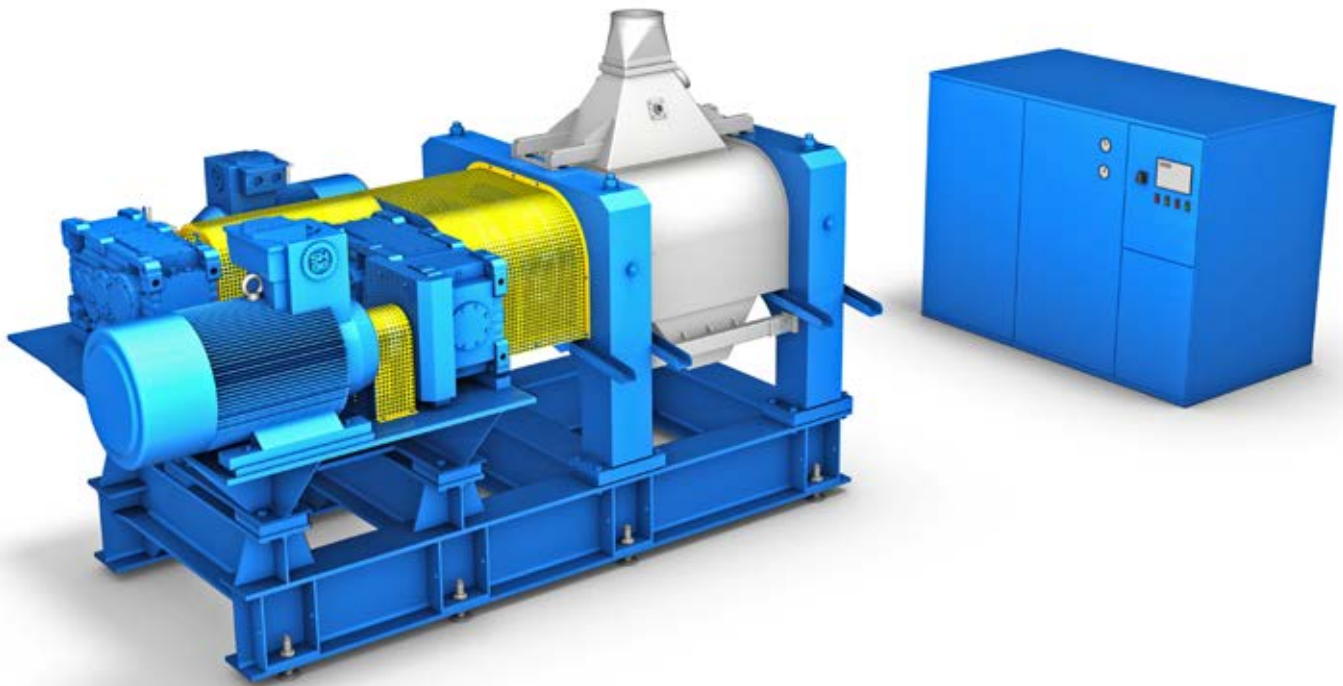


# ELDAN Cracker Mill

Up to 2000 kg/h



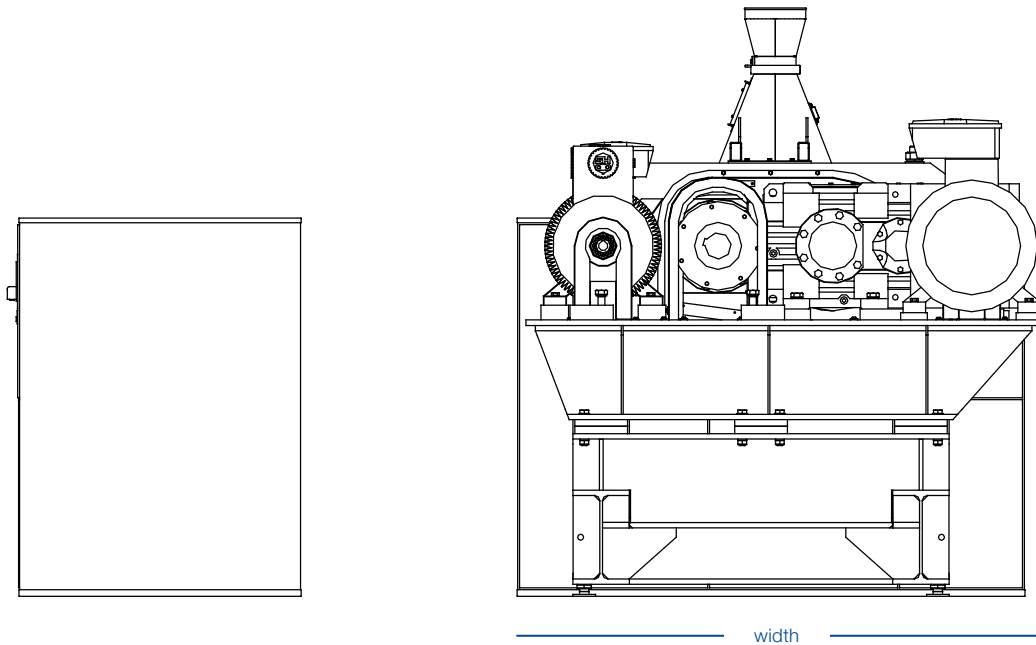
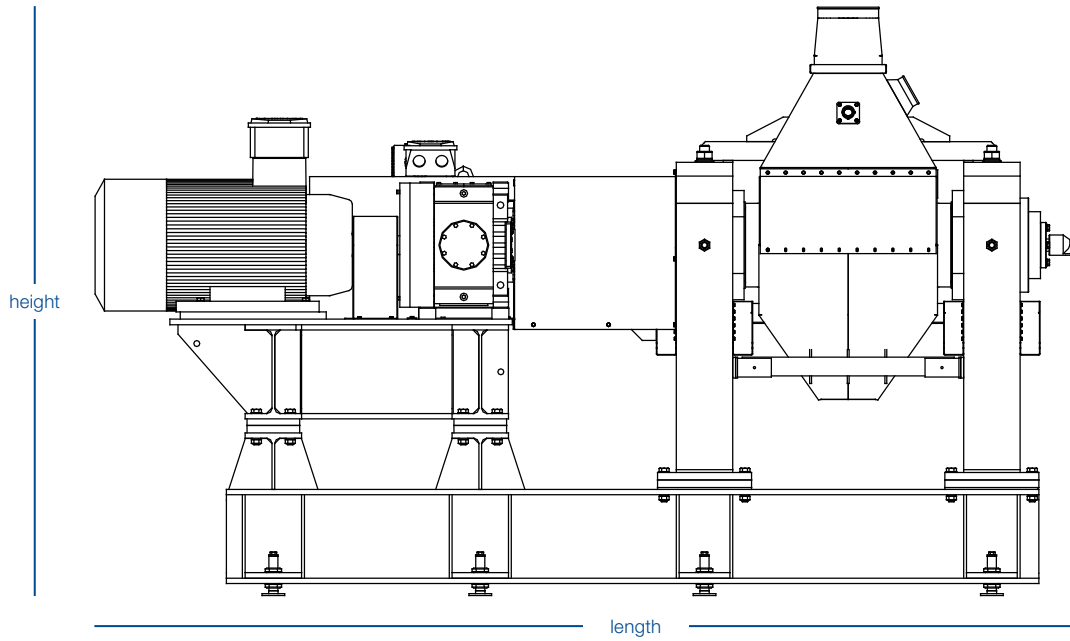
## CRACKER MILL (CM)

The Eldan Cracker Mill is the main machine for powder production in the Eldan Powder System. The Cracker Mill can be used for powder production of rubber originating from any type of tyre, e.g. car tyres, truck tyres, OTR tyres, mining truck tyres, van tyres, super singles, agricultural tyres, etc.

- Mill rolls powered by two electrical motors
- Solid construction ensures smooth production
- The “controlled drive” friction ratio system is adjustable also during operation
- Bearings are lubricated by means of PLC-controlled grease pumps in order to ensure long life
- Cast mill rolls are interchangeable and specially treated and machined for optimum quality
- Rolls are water cooled and the cracker mill includes a water cooler developed for this purpose only
- Electrical system is designed to regenerate large volumes of electrical power resulting in energy savings
- The control and soft touch panel show the friction ratio, overall mill speed, Amps, bearing temperature etc



# Cracker Mill



Specifications	Cracker Mill	Cooler
Input capacity	500-2000 kg/hour	
Motor	110/250 kW	37 kW
Weight	30 tonnes	1.8 tonnes
Dimensions (LxWxH)	5226 x 2807 x 3127 mm	2700 x 1500 x 2000 mm
Temperature range		-5°C/+20°C or 0°C/30°C
Output sizes*	10, 20, 30, 40, and 50 Mesh	

\* (typical market defined powder sizes)

Standard voltage: 3 ph, 400 V, 50 Hz - for other voltages please contact our sales department

