

# ELDAN Raspers - 807/1207

Up to 2000 kg/h



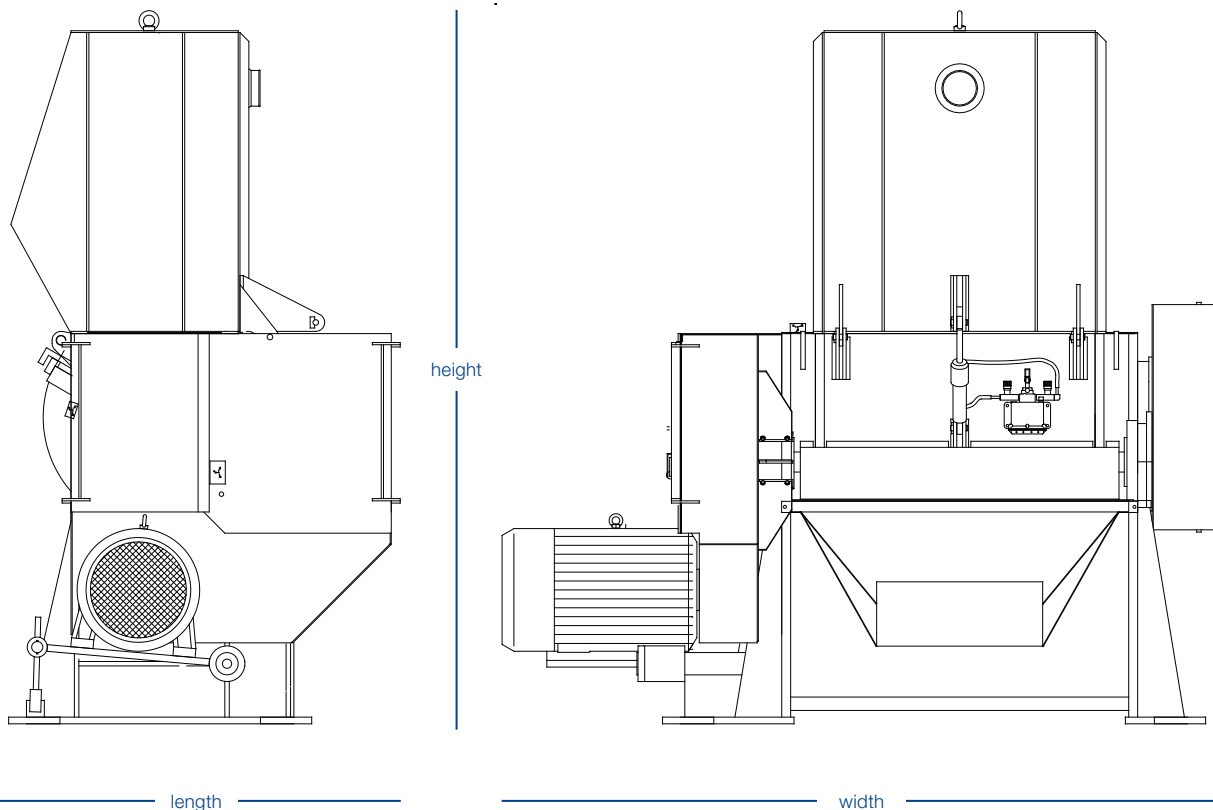
## RASPER

The ELDAN Rasper is used for primary size reduction of material in small and medium capacity recycling plants. The Eldan Rasper is the ideal solution for preparing the following material for granulation: cables, electronic and electrical waste (i.e. WEEE), etc.

- Friction clutches protect the drive system from momentary overload
- Adjustable knife clearance optimizes the cutting function
- The knives can be reground multiple times on a “flat-bed” grinder ensuring long life and low operation costs
- The machine is designed for quick and easy change of knives
- Hydraulically operated inlet hopper provides easy access to the cutting chamber for maintenance
- The rotor is manufactured and designed for minimum wear
- Screens with different hole sizes are available for flexible production
- Exchangeable wear parts give you a virtually indestructible machine



# Raspers



Technical specifications	R807	R1207	Units (EN / US)
Rotor	800 / 32	1200 / 48	mm / in
Rotor speed	120	120	rpm
Knives - flying	8	12	pcs
Knives - static	2	3	pca
Capacity*	Up to 1200 / 2640	Up to 2000 / 4400	kg/lbs per production hour
Motor	75	90	kW
Motor speed	1400	1400	rpm
Weight	5500 / 12120	6900 / 15210	kg / lbs
Length	1750 / 68	1750 / 68	mm / in
Width	2850 / 112	3250 / 128	mm / in
Height	3200 / 126	3200 / 126	mm / in

\* Depending on type of input material, method of feeding and screen size  
Standard voltage: 3 ph, 400, 50 Hz – for other voltages please contact our sales department

