



The best of aluminium recycling



Eldan aluminium recycling plants and machines

To achieve the required type of end-product different standard recycling plants are available. These standard plants are also the starting point when plants are tailored to suit specific customer requirements. Using the modular approach, a large number of combinations can be supplied to produce shreds, chips, granulate etc.



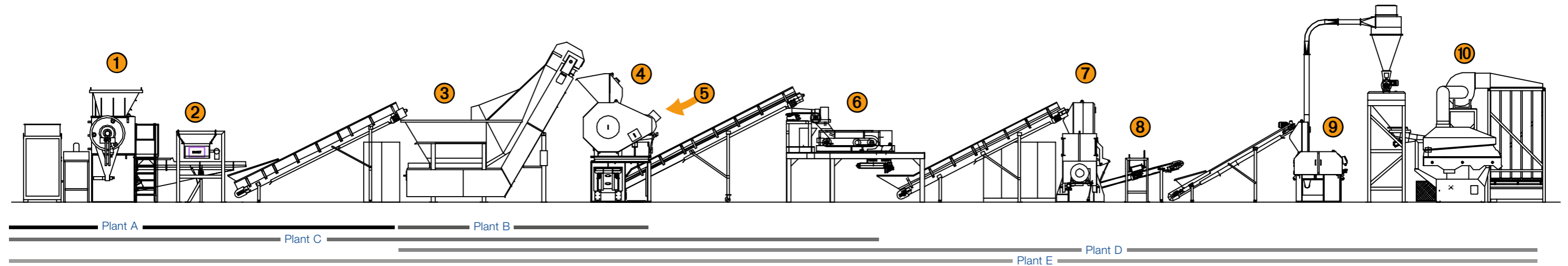
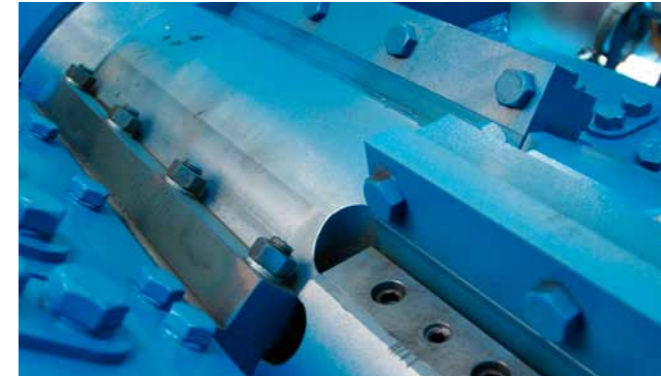
Proven technology

Eldan equipment is designed to meet market requirements, thus the individual machines can easily be adjusted to other fraction sizes, merely by changing the screen size in the machines.



Features

- High performance
- Low processing costs
- Low power consumption
- Low maintenance costs
- Eldan plants are tailored to suit your requirements and facilities.
- The modular concept behind the Eldan plants enables you to adapt your production output fraction to specific customer demands
- Homogeneous output which reduces your energy costs in the melting process



Input

Typical input material will be: soft and hard aluminium material, clean as well as contaminated material, sheets, blanks, profiles, litho, castings, turnings, foils, UBCs, "old rolled aluminium" and many others.

1. Super Chopper

A powerful, low-speed, single or dual shaft pre-chopper including automatic reverse for overload protection. Fraction size approx. 100-300 mm shreds.



Input



Shreds



Chips



Granulate after Heavy Granulator



Granulate - various sizes after Fine Granulator and Separation Table

2. Overband Magnet

Removes ferrous material from the aluminium.

3. Tumble Back Feeder

Ensures a continuous flow into the Multi Purpose Rasper thus ensuring an optimum load/utilization of the Multi Purpose Rasper.

4. Multi Purpose Rasper

An effective, medium-speed, dual drive Rasper designed for aluminium recycling. It ensures individual size reduction down to approx. 20-80 mm.

5. Overband Magnet (behind MPR (4))

Removes ferrous material from the aluminium.

6. Eddy Current Separator

The Eddy Current Separator ensures the separation of organic material from the aluminium.

7. Heavy Granulator

A high-speed, single shaft Heavy Granulator for the first granulation stage (remaining Fe-material is liberated). Fraction sizes typically between 8-13 mm granulate.

8. Overband Magnet

Removes the very last ferrous material from the aluminium ensuring an almost 100% clean aluminium fraction.

9. Fine-Granulator

A high-speed, single shaft Fine-Granulator for the second and final granulation stage. Fraction sizes typically between 4-8 mm granulate.

10. Separation Table

This machine ensures final size distribution.

After sales service ensure reduced downtime:

The Eldan After Sales Division is your reliable partner!

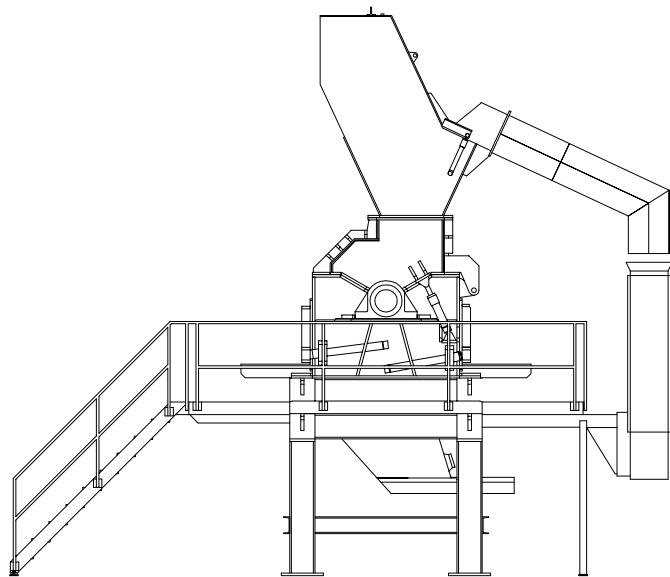
- The After Sales Division offer ad hoc service on existing as well as new equipment through our trained and experienced service engineers and supervisors
- Eldan constantly holds an extensive stock of spare and wear parts
- The flexible service contracts ensure planned, preventive maintenance of your production line
- Tailored contracts ensure that parts are available for immediate call off
- Contact one of our spare and wear part coordinators, and we will supply the best possible solution for your company



Optional modules for specific customer requirements:

Shredder

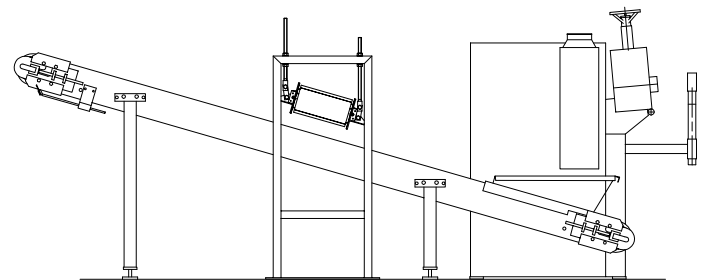
A powerful, high-speed Ring Shredder for size reduction of aluminium.



ACSR Shear M16-2

For cutting of ACSR cables.

- Easy to load
- Easy to operate
- Easy to maintain
- Feeding speed: up to 60 meters/minute
- Chopping speed: up to 400 cuts/minute
- Cable diameter: up to 50 mm



First choice in recycling equipment