

# Eldan Aspirators



The Eldan Aspirators are designed to separate the textile from the rubber granules and to classify the rubber granules into three sizes and dust.

The Aspirator is used in the recycling of:

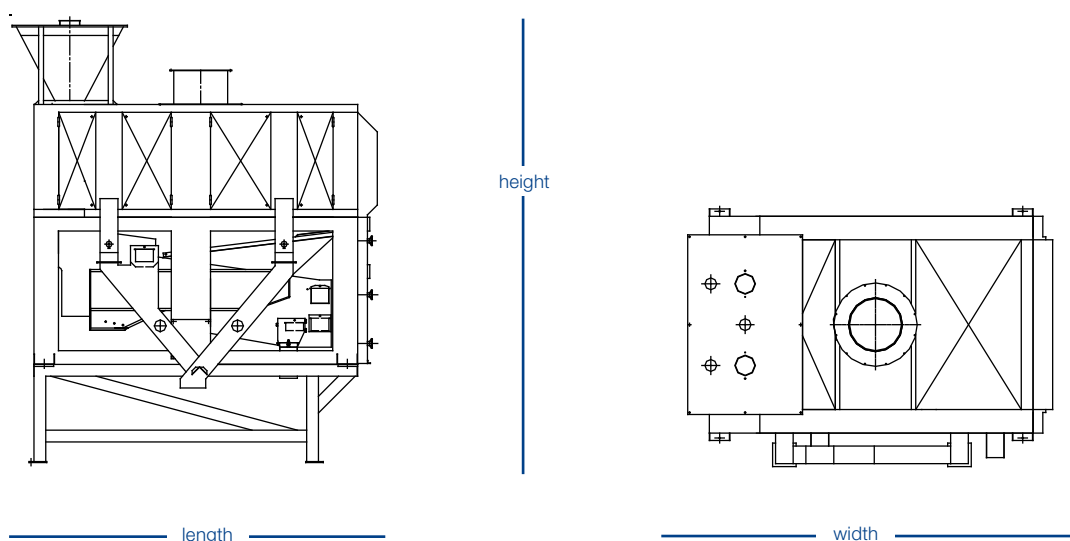
- Tyres



*The most efficient equipment for classifying and final cleaning of rubber granules.*

## Features

- The Eldan Aspirator is designed to separate the textile from the rubber granules and to classify the rubber granules
- The machine uses two separate separation devices, to ensure optimum purity. Initially, a dust suction system that removes the dust fraction. Secondly, screens separating the textile and sorting the rubber
- An efficient anti-clogging system, consisting of bouncing rubber balls ensures that the screens are not getting blocked by material
- The required screens with different hole sizes are available for various output material requirements. The screens are easy to change
- The Aspirators ensure a high cleaning efficiency on a wide range of rubber granules and powder



Specifications	UP1500	UP1750	FP1500	FP1750
Screening area:	12 m <sup>2</sup>	14 m <sup>2</sup>	21.6 m <sup>2</sup>	25.5 m <sup>2</sup>
Air volume	Approx. 11000 m <sup>3</sup> /hour	Approx. 11000 m <sup>3</sup> /hour	Approx. 11000 m <sup>3</sup> /hour	Approx. 11000 m <sup>3</sup> /hour
Power variable feed drum	0.37 kW	0.37 kW	0.37 kW	0.37 kW
Power screw conveyor & air lock	0.55 kW	0.55 kW	0.55 kW	0.55 kW
Power screen section	1.5 kW	1.5 kW	2.2 kW	2.2 kW
Number of outlets	3	3	3	3
Capacity*	2000 kg/hour	3000 kg/hour	4000 kg/hour	5000 kg/hour
Weight	Approx. 4600 kg	Approx. 4900 kg	Approx. 5500 kg	Approx. 5900 kg
Dimensions	3750 x 2400 x 4500 mm	3750 x 2650 x 4500 mm	3750 x 2400 x 5400 mm	3750 x 2650 x 5800 mm
Inlet height	4500 mm	4500 mm	5400 mm	5800 mm

\* The estimated capacities are based on rubber granules with a size of 1-4 mm and a max. textile content of 5-10%  
Standard voltage: 3 ph, 400 V, 50 Hz - for other voltages please contact our sales department

*First choice in recycling equipment*